



# LED Bollard

PROJECT INFORMATION	
JOB NAME	
FIXTURE TYPE	Bollard
CATALOG NUMBER	BL
APPROVED BY	

## SPECIFICATIONS

### Construction:

This attractive, heavy-duty bollard features full proof aluminum construction housing, providing corrosion and vandal resistance ideal for lighting pedestrian walkways, as well as accenting the exterior grounds of office and apartment buildings, hotel and parks. A solid foundation withstands the elements, driver options work in even the worst weather conditions.

LED compartment is airtight to prevent fogging and condensation build up and keep water out.

### Listings:

Luminaire is certified to UL/cUL Standards for Wet Locations DesignLights Consortium qualified. All are eligible for rebates from DLC member utilities.

**AC Input:** 120/208/240/277/347/480 V

### Driver:

Constant current, 120-277 VAC, 50-60 Hz  
 High Efficiency – min. 84%  
 O-State Power: 0 Watts  
 0-10 V Dimming

### LEDs:

Available in 4000K and 5000K CCT

Epoxy Guard™ protective conformal coated boards

Atlas LEDs provide higher lumen output, greater energy efficiency and more reliable fixture performance. They are tested and binned at 700mA which is the actual operating current used in Atlas LED luminaires, giving a better representation of actual performance.

### Reduced Glare:

Aluminum reflector designed to reduce glare and produce an even distribution.

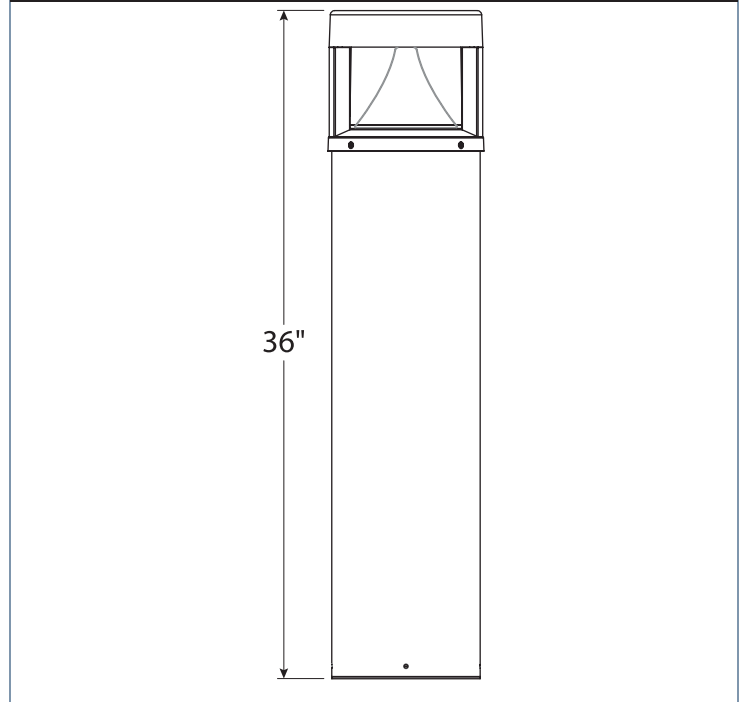
### Testing:

Atlas LED luminaires have been tested by an independent laboratory in accordance with IESNA LM-79 & LM-80.

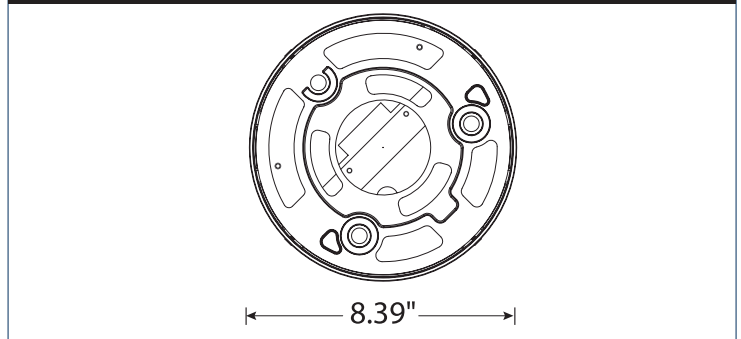
**Warranty:** Five-year limited warranty



## DIMENSIONS



## MOUNTING DETAIL



Rebates and Incentives are available in many areas. Contact an Atlas Representative for more information.



# LED Bollard

## ORDERING INFORMATION

BL	18LED			4K	
PRODUCT SERIES	WATTAGE	VOLTAGE	COLOR RENDERING	COLOR TEMP.	FIXTURE COLOR
BL= LED Bollard	18LED = 18 Watts 36LED = 36 Watts	Blank = 120-277	Blank = 70CRI	4K = 4000K 5K = 5000K	Blank = Bronze

## PERFORMANCE DATA

WATTAGE	CRI	4000K CCT		5000K CCT		WATTAGE
		DELIVERED LUMENS	EFFICACY (LPW)	DELIVERED LUMENS	EFFICACY (LPW)	
18W	70	2,035	111	2,035	111	18
36W	70	3,960	110	3,960	110	36