



Linear High Bay
10' Cable Mounting Set
for ILH Units

PROJECT INFORMATION

JOB NAME	
FIXTURE TYPE	10' Cable Mounting Set for ILH Units
CATALOG NUMBER	
APPROVED BY	

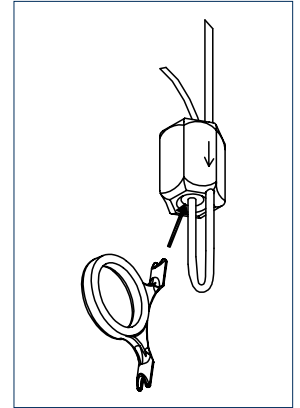
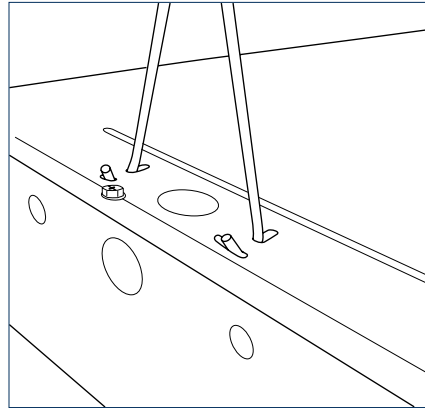
SPECIFICATIONS

Construction:

- Stainless Steel
- "Y" hanger
- Pre-drilled holes in fixture housing
- Latch
- Clip

Specifications:

- Length: 10' (3.048 m)



ORDERING INFORMATION

CATALOG #	DESCRIPTION	STD. PKG.
CA36	Cable Set	1
CA36-O	Cable Set Only	1