



**Linear High Bay
3' Chain Mounting Set
for ILH Units**

PROJECT INFORMATION

JOB NAME	
FIXTURE TYPE	3' Chain Mounting Set for ILH Units
CATALOG NUMBER	
APPROVED BY	

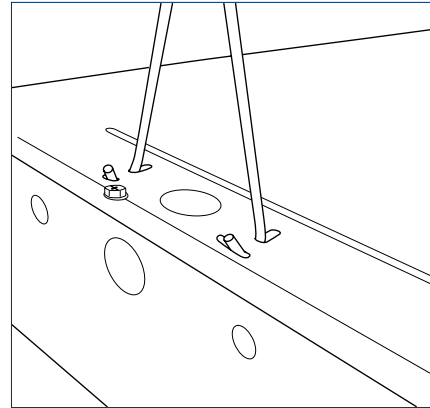
SPECIFICATIONS

Construction:

- "Y" hanger
- Pre-drilled holes in fixture housing

Specifications:

- Length: 3' (0.9144 m)



ORDERING INFORMATION

CATALOG #	DESCRIPTION	STD. PKG.
CH36	Chain & Hanger Set	1
CH36-O	Chain Set Only	1