



Lumen Selectable Independence Series Medium Wall Light

PROJECT INFORMATION

JOB NAME	
FIXTURE TYPE	Independence Medium Wall Light
CATALOG NUMBER	
APPROVED BY	

SPECIFICATIONS

Construction:

Rugged traditional aluminum die cast housing provides proven environmental protection for LED modules. Traditional fixture designs provide a familiar look and standard installation requirements. Retaining this look allows the ability to upgrade fixtures gradually, while retaining the same overall fixture appearance throughout a facility.

Glare Reduction Lens:

Positioning of the LED modules combined with the unique design of the lens assembly results in light being directed to desired locations and reduces offensive light.

Borosilicate glass lens assembly is designed to provide high efficiency and to target the light where needed to satisfy outdoor lighting requirements.

Selectable Lumens:

Atlas selectable wall lights are quick and easy to select and set up. Selectable lumens range in 5,000 (38W) / 7,500 (57W) / 10,000 (78W).

Thermal Management:

Atlas' Patent Pending exclusive Thermal Management System™ features a unique internal design that allows for lower operating temperatures which results in a brighter, whiter light, more stable color and longer LED and driver life.

Listings:

Luminaire is certified to UL/cUL Standards for Wet Locations DesignLights Consortium qualified luminaire, eligible for rebates from DLC member utilities.

AC Input: 120/208/240/277V 347/480V

Driver:

Constant current, Class 2, 120-277 VAC, 50-60 Hz
High Efficiency – min. 88%

LEDs:

Available in 4000K, 4500K and 5000K, CCT
Epoxy Guard™ protective conformal coated boards
Atlas LEDs provide higher lumen output, greater energy efficiency and more reliable fixture performance.

Reduced Glare:

Positioning of the LED modules within the housing result in light directed to desired locations and reduces offensive light.

Testing:

Atlas LED luminaires have been tested by an independent laboratory in accordance with IESNA LM-79 & LM-80.

Warranty: Five-year limited warranty

Installation:

Fixture retains the same knock-out sizes and positions as previous models, reducing wiring costs.

Emergency Back-up: For factory installed Emergency Back-Up add suffix EB to part number.



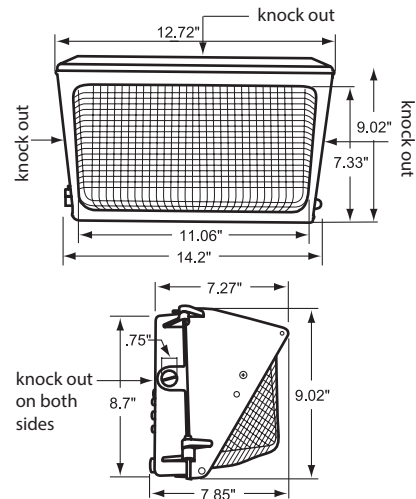
BUY AMERICAN



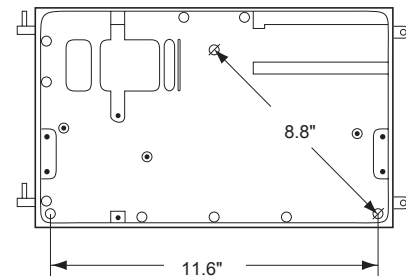
COMPLIANT*

DIMENSIONS

Weight: 9.25 lbs.



MOUNTING DETAIL



Rebates and Incentives are available in many areas.
Contact an Atlas Representative for more information.

*The majority of Atlas Lighting Products are assembled in USA facilities by an American Workforce utilizing both Domestic and Foreign components. Meets Buy American requirements within the ARRA.

¹LED Life Span Based Upon LM-70 Test Results



**Lumen Selectable
Independence Series**
Medium Wall Light

ORDERING INFORMATION

WM	S	5-10L	45K				
PRODUCT SERIES	SELECTABLE	LUMEN PACKAGE	COLOR TEMP.	CONTROLS	VOLTAGE	FIXTURE COLOR	OPTIONS
WM = Medium Wall Light	S = Selectable	5-10L = 5,000, 7,500, 10,000 Lumens Selectable	4K = 4000K 45K = 4500K 5K = 5000K	PC = 120V Photocontrol PM = 208-277V Photocontrol	Blank = 120-277 4 = 347/480	Blank = Bronze WT = White* BK = Black* <i>*optional with adder</i>	EB = Emergency Back-up SP = Surge Protection

PERFORMANCE DATA

UNIT	CRI	4000K CCT			4500K CCT			5000K CCT		
		DELIVERED LUMENS	EFFICACY (LPW)	WATTAGE	DELIVERED LUMENS	EFFICACY (LPW)	WATTAGE	DELIVERED LUMENS	EFFICACY (LPW)	WATTAGE
5L - 10L	80	4926	131	37.6	4926	131	37.6	4948	131	37.9
	80	7290	129	56.5	7290	129	56.5	7326	129	56.9
	80	9708	124	78	9708	124	78	9696	124	78.5

DLC PRODUCT INFORMATION

UNIT	4000K CCT		4500K CCT		5000K CCT	
	DLC PRODUCT ID	CLASSIFICATION	DLC PRODUCT ID	CLASSIFICATION	DLC PRODUCT ID	CLASSIFICATION
WMS5-10L	PVAUOP4S	Standard	P92OJ2X3	Standard	PO47NS0P	Standard