



Dual Deal Pole Combo

Flood Light and Straight Steel Pole Combo

PROJECT INFORMATION

JOB NAME	
FIXTURE TYPE	Flood Light & Pole Combo
CATALOG NUMBER	
APPROVED BY	

FLOOD SPECIFICATIONS

Construction:

Designed for commercial and industrial applications, providing cooler operating temperatures, brighter light and longer LED life. Apertures for field or factory installed photocontrol. Separate driver compartment for cooler operation and longer driver life. Removable back panel offers easy access to the driver compartment. Available with slipfitter.

Extra Wide Distribution Pattern:

Designed to provide maximum light spread for short set backs when lighting signs and washing walls.

Reduced Glare:

Positioning of the LED modules within the housing result in light directed to desired locations and reduces offensive light.

Thermal Management:

Atlas Extra-Wide Flood Lights are designed as a complete system to optimize LED life and light output. The Patent Pending thermal stacking heat removal technology extracts heat from within the housing moving it away from LEDs and components. The lower temperatures result in long LED life (200,000+ hrs¹) and component life and also allows for higher light output.

Listings:

Luminaire is certified to UL/cUL Standards for Wet Locations

AC Input: 120/208/240/277V

Driver:

Constant current, Class 2, 120-277 VAC, 50-60 Hz
 High Efficiency – min. 88%
 Off-State Power: 0 Watts
 0-10 V Dimming

LEDs:

4000K | 4500K | 5000K CCT

Testing:

Atlas LED luminaires have been tested by an independent laboratory in accordance with IESNA LM-79 & LM-80.

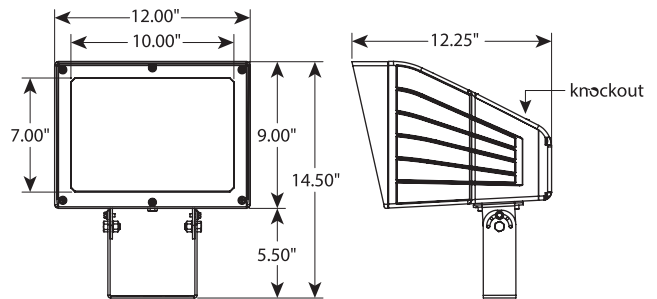
Photo Control: For factory installed 120V button photo control add suffix PC to part number.

Warranty: Five-year limited warranty

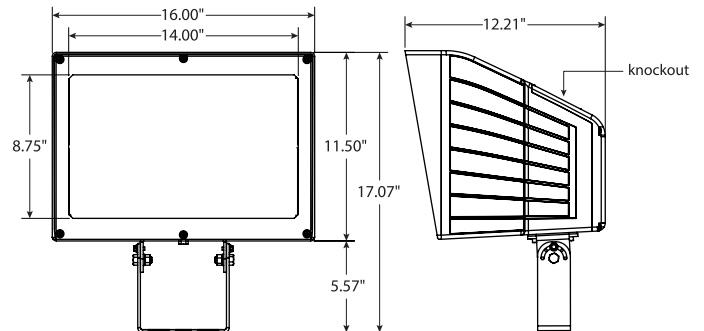


DIMENSIONS

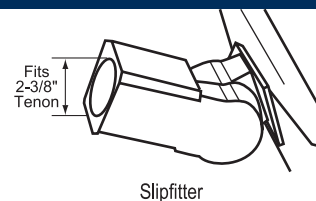
Weight: 21 lbs.
EPA: 1.00



Weight: 31 lbs.
EPA: 1.29



MOUNTING DETAIL



Rebates and Incentives are available in many areas. Contact an Atlas Representative for more information.

*The majority of Atlas Lighting Products are assembled in USA facilities by an American Workforce utilizing both Domestic and Foreign components. Meets Buy American requirements within the ARRA.

¹LED Life Span Based Upon LM-80 Test Results



Dual Deal Pole Combo

Flood Light and Straight Steel Pole Combo

POLE SPECIFICATIONS

Pole Shaft:

- Straight pole is 4" square.
- Pole shaft is electro-welded ASTM-A500 Grade C steel tubing with a minimum yield strength of 50,000 psi.

Hand-Hole:

- Standard hand-hole location is 12" above pole base.
- 12' pole has a 2" x 4" non-reinforced hand-hole.
- 20' pole has a 2" x 4" non-reinforced hand-hole.
- 25' pole has a 3" x 6" reinforced hand-hole.

Base:

- Pole base is ASTM-A36 hot-rolled steel plate with a minimum yield strength of 36,000 psi.
- Two-piece square base cover is optional.

Anchor Bolts:

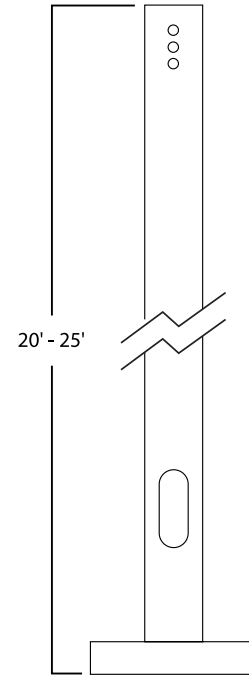
- Poles are furnished with anchor bolts featuring zinc-plated double nuts and washers. Galvanized anchor bolts are optional.
- Anchor bolts conform to ASTM F 1554-07a Grade 55 with a minimum yield strength of 55,000 psi.

Ground Lug:

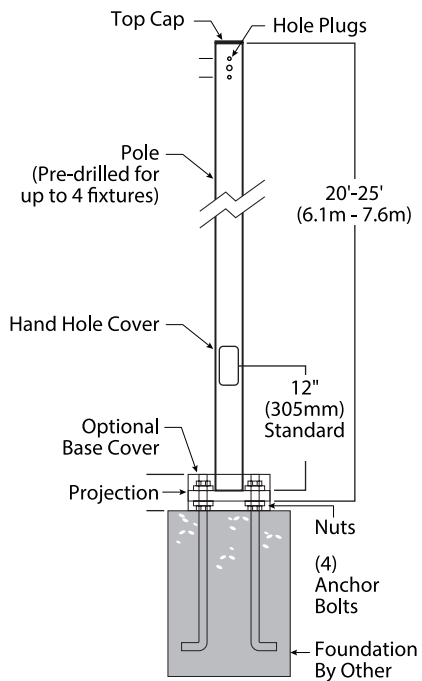
- Ground lug is standard.



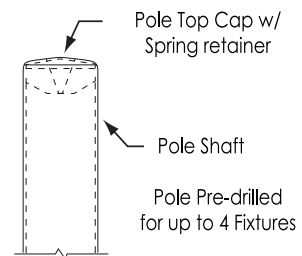
POLE DIMENSIONS



POLE DETAILS



POLE TIP DETAILS





Dual Deal Pole Combo

Flood Light and Straight Steel Pole Combo

ORDERING INFORMATION

PXPFL2GXW	20L	2	40	4SQ20			
PRODUCT SERIES	LUMEN PACKAGE	QUANTITY	COLOR TEMP.	SQUARE STRAIGHT POLE	BRACKET	FIXTURE COLOR	ANCHOR BOLTS
PXPFL2GXW = Large Flood/Pole Combo PXPFL2GXW = Extra Large Flood/Pole Combo	20L = 20,000 Lumens ¹ 25L = 25,000 Lumens ¹ 50L = 50,000 Lumens ² ¹ PXPFL2GXW only ² PXPFL2GXW only	2 = Double Flood @ 180° 3 = Triple Flood @ 120°	40 = 4000k 45 = 4500k 50 = 5000k	4SQ20 = 4", 20 feet steel 11-gauge ¹ 4SQ25 = 4", 25 feet steel 11-gauge ¹ PXPFL2GXW only	2BH = Double Bull Horn 3H = Triple Bull Horn	Blank = Bronze	Blank = with anchor bolts/template LAB = Less anchor bolts/template

FLOOD PERFORMANCE DATA

LUMEN PACKAGE	CRI	4000K CCT		4500K CCT		5000K CCT		WATTAGE	REPLACES UP TO
		DELIVERED LUMENS	EFFICACY (LPW)	DELIVERED LUMENS	EFFICACY (LPW)	DELIVERED LUMENS	EFFICACY (LPW)		
PXPFL2GXW									
20L	70	20,540	144	20,540	144	21,750	153	142	400W MH
25L	70	25,040	139	25,040	139	25,040	139	180	1000W MH
PXPFL2GXW									
50L	70	50,130	141	50,130	141	50,130	141	357	1000W MH

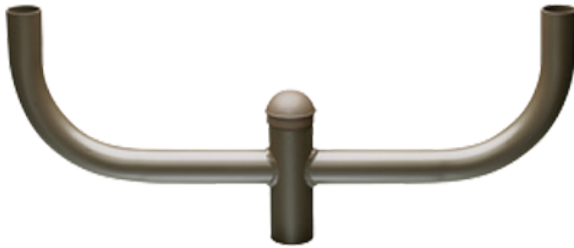
POLE DATA

MOUNTING HEIGHT LENGTH (FT)	CATALOG NUMBER	SHAFT			POLE BASE			MAXIMUM LOADING									
		BASE O.D. (IN)	WALL THK. (GA)	GROSS WEIGHT (LBS)	BOLT CIRCLE RANGE	PLATE WIDTH (IN)	PLATE THICK (IN)	110 MPH	115 MPH	120 MPH	130 MPH	140 MPH	150 MPH	160 MPH	170 MPH	180 MPH	
								EPA (FT ²)	EPA (FT ²)	EPA (FT ²)	EPA (FT ²)	EPA (FT ²)	EPA (FT ²)	EPA (FT ²)	EPA (FT ²)	EPA (FT ²)	EPA (FT ²)
20	SSS20411BZ	4	11	150	8" - 11"	10.125	0.75	4.6	3.9	3.2	2.1	1.2	0.6	n/a	n/a	n/a	
25	SSS25411BZ	4	11	188	8" - 11"	10.125	0.75	4.6	3.7	3	1.7	0.7	n/a	n/a	n/a	n/a	

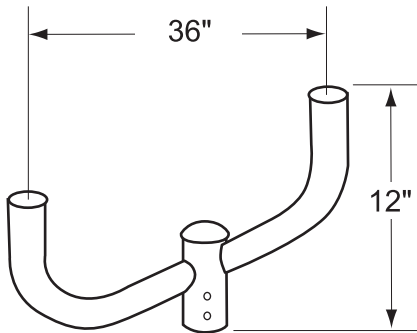
BOLT CIRCLE

<p>4" (102mm) square 10-1/8" (257mm) sq.</p> <p>11" (279mm) Dia. Bolt Circle</p>	Bolt Circle	Slotted 8" - 11"
	Anchor Bolt Size	0.75" x 30"
	Anchor Bolt Projection	3.25"
	Base Plate Opening for Wireway Entry	3.625"
	Base Plate Dimensions	10.125" sq. x 3/4" thk.
	Pole Gauge	11

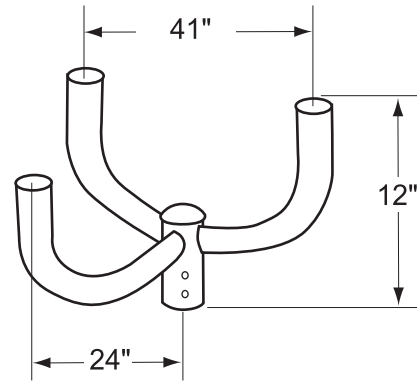
BULLHORN BRACKETS



DIMENSIONS



DIMENSIONS



EPA

FIGURE 1	CONFIGURATION	EPA	WEIGHT
	2 @ 180°	1.35	20 lbs.

EPA

FIGURE 1	CONFIGURATION	EPA	WEIGHT
	3 @ 120°	2.0	33 lbs.

ORDERING INFORMATION

CATALOG #	DESCRIPTION	FINISH	# OF TENONS	TENON SIZE	WT / LBS.
500-011BZ	2 In Line Bullhorn	Bronze	2 In Line	2 3/8"	20
500-052BZ	3 Arm Bullhorn	Bronze	3 @ 120°	2 3/8"	33