



PROJECT INFORMATION

JOB NAME	
FIXTURE TYPE	Oval 2 Headed Emergency Light
CATALOG NUMBER	
APPROVED BY	

SPECIFICATIONS

Construction:

The EMO2A Series offers an LED fully adjustable lamp head, along with a contemporary design, quick installation and premium options, in a stylish and economical package.

Fully adjustable glare free LED heads

Two factory-installed LED lamp heads

Injection-molded, high-impact, UV-stabilized,

UL94 V-0 thermoplastic construction

Electrical:

120/277 VAC Dual Rated

Maintenance-free nickel-cadmium battery
(RC version nickel-metal hydride)

Energy-saving LED

Remote-Capable version provides 3.44 watts for 90 minutes

Installation:

Universal J-box pattern knock-out & mounting plate with quick connect features

Listings:

Luminaire is certified to UL/cUL Standards for Damp Locations

Testing:

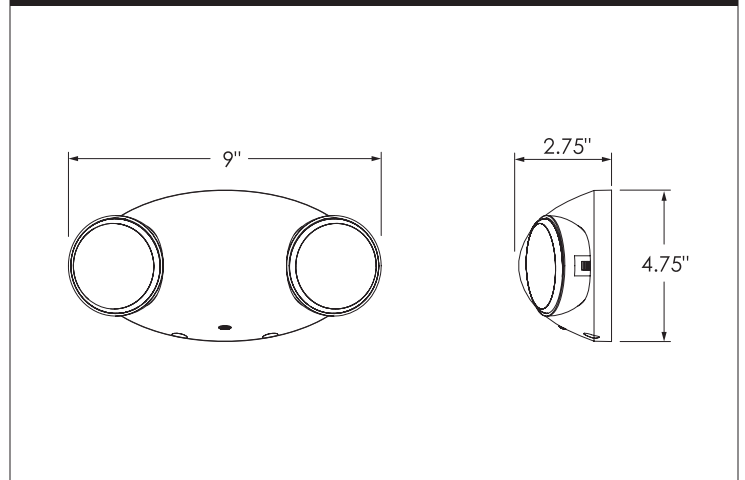
Atlas LED luminaires have been tested by an independent laboratory in accordance with IESNA LM-79 & LM-80.

Warranty:

Five-year limited warranty



DIMENSIONS



ORDERING INFORMATION

CATALOG #	DESCRIPTION	FINISH	VOLTS
EMO2A	Oval 2 headed emergency light	White	120/277
EMO2ARC	Oval 2 headed emergency light - Remote Capable	White	120/277