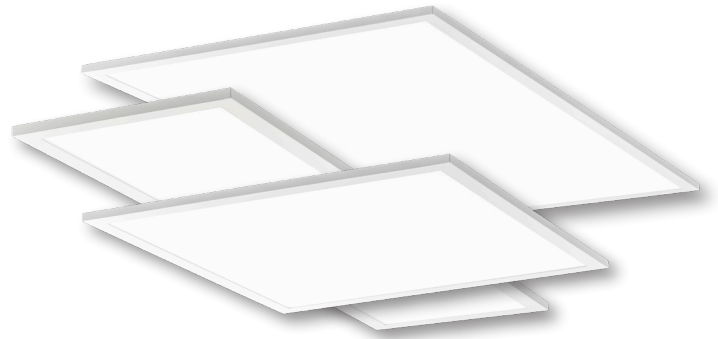




Field Adjustable Edge Lit Panels

1x4 | 2x2 | 2x4



PROJECT INFORMATION

JOB NAME	
FIXTURE TYPE	Field Adjustable Edge Lit Panels
CATALOG NUMBER	
APPROVED BY	

SPECIFICATIONS

Construction:

Heavy duty construction made of cold rolled steel. Housing features metal back panel and wiring compartment. Frame is constructed of Aluminum that is post-painted white.

Optics:

Frosted white lens diffuses light. Atlas Edge Lit Panels utilize edge-lit technology and provide full diffusion with excellent uniformity.

Field adjustable lumens range from 3,000 to 5,000.

3500K, 4000K and 5000K field adjustable CCT.

Color rendering index > 80

120° beam angle

Electrical:

Universal 120-277 AC voltage (50-60Hz) is standard

0-10 V Dimming capability is standard

Total harmonic distortion < 20%

Power factor: < 90%

Suitable for ambient temperatures from -25° to 45°C (-13°F to 113°F)

LEDs:

Long-life LEDs provide 50,000 hours of operation with at least 70% of initial output (L70).

Installation:

Easy installation in new construction or retrofit. For surface-mount and suspension-mount applications, accessories are to be ordered separately. See *Accessories section*.

Listings:

Luminaire is certified to ETL Standards for Damp Locations DesignLights Consortium qualified luminaire, eligible for rebates from DLC member utilities. See *chart on next page for qualifying products*.

Testing:

Atlas LED luminaires have been tested by an independent laboratory in accordance with IESNA LM-79 & LM-80.

Emergency Back-up: factory installed Emergency Back-Up add suffix EB to part number. Provides emergency illumination (1,100 lumens) for a minimum of 90 minutes.

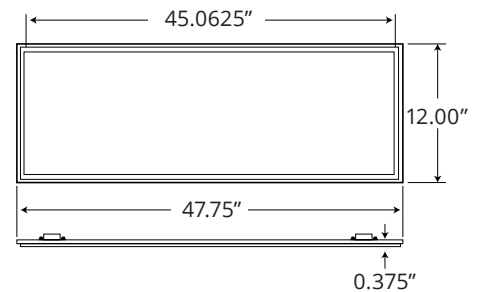
Warranty:

Five-year limited warranty

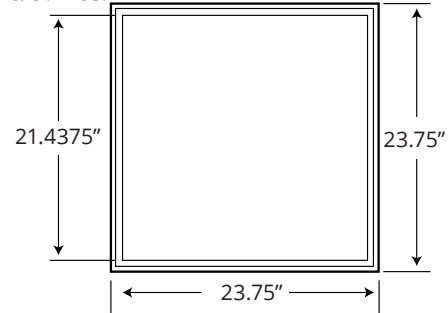


DIMENSIONS

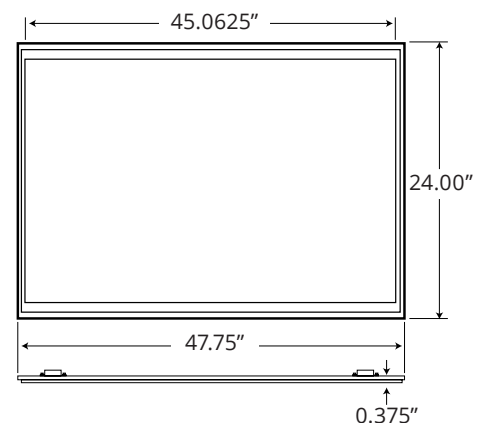
1x4 Weight: 9.48 lbs.



2x2 Weight: 9.2 lbs.



2x4 Weight: 16.53 lbs.



Rebates and Incentives are available in many areas. Contact an Atlas Representative for more information.

Atlas Lighting Products, Inc.

PO Box 2348 | Burlington, NC 27216

800-849-8485 | fax: 1-855-847-2794 | www.atlasled.com

ORDERING INFORMATION

FAELP	24	LED		
PRODUCT SERIES	SIZE	LIGHT SOURCE	VOLTAGE	OPTIONS
FAELP = Field Adjustable Edge Lit Panel	14 = 1'x4' 22 = 2'x2' 24 = 2'x4'	LED = LED	U = Universal Voltage (120-277V) with 0-10v Dimming	EB = Emergency Back-Up

PERFORMANCE DATA

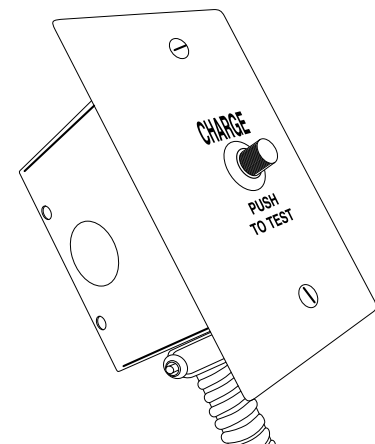
UNIT	FIXTURE LENGTH	CRI	3500K CCT		4000K CCT		5000K CCT		WATTAGE	REPLACES UP TO
			DELIVERED LUMENS	EFFICACY (LPW)	DELIVERED LUMENS	EFFICACY (LPW)	DELIVERED LUMENS	EFFICACY (LPW)		
FAELP14	1'x4'	>80	3,102	121	3,274	132	3,154	123	25	(2) F32-T8
			3,513	118	3,748	130	3,570	120	30	
			4,398	110	4,767	125	4,464	112	40	
FAELP22	2'x2'	>80	3,187	121	3,385	133	3,259	122	25	(3) F24-T5
			3,599	117	3,863	131	3,683	119	30	
			4,412	109	4,856	126	4,542	111	40	
FAELP24	2'x4'	>80	3,248	112	3,413	120	3,409	117	30	(4) F32-T8
			3,702	109	3,921	119	3,891	115	35	
			4,698	104	5,046	115	4,971	110	45	

DLC PRODUCT INFORMATION

UNIT	3500K 4000K 5000K CCT (ADJUSTABLE)	
	DLC PRODUCT ID	CLASSIFICATION
FAELP14	PL7X1MABQT96	Standard
FAELP22	PL40JDVR6FWI	Standard
FAELP24	PL4V60PIKS27	Standard

EMERGENCY BACKUP INFORMATION

Provides emergency illumination (1,100 lumens) for a minimum of 90 minutes. Prewired from the factory with test switch (drawing below) in single gang box connected with 25" of flexible metal conduit.



ACCESSORIES

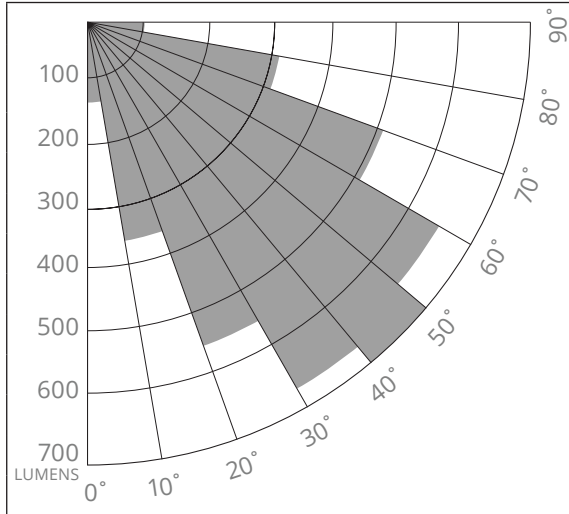
CATALOG #	DESCRIPTION
SMK14	Frame Kits for 1x4 Surface Mount Panels For 12" x 47.76" panel surface mounted. Dimension: 12.21" x 48.03" x 2.17" White color finished
SMK22	Frame Kits for 2x2 Surface Mount Panels For 23.74" x 23.74" panel surface mounted. Dimension: 24.02" x 24.02" x 2.17" White color finished
SMK24	Frame Kits for 2x4 Surface Mount Panels For 23.74" x 47.76" panel surface mounted. Dimension: 24.02" x 48.03" x 2.17" White color finished

PHOTMETRICS

FAELP14

Zonal Lumen Distribution

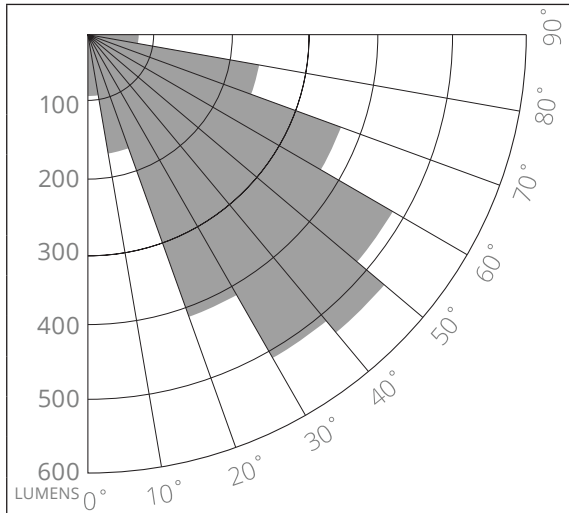
0-10	127.57
10-20	364.57
20-30	557.16
30-40	675.15
40-50	709.28
50-60	648.41
60-70	505.10
70-80	309.65
80-90	102.32
Total	3999.21



FAELP22

Zonal Lumen Distribution

0-10	96.79
10-20	276.22
20-30	421.13
30-40	508.61
40-50	531.98
50-60	483.96
60-70	374.97
70-80	230.28
80-90	75.38
Total	2999.32



FAELP24

Zonal Lumen Distribution

0-10	161.06
10-20	460.00
20-30	702.03
30-40	848.62
40-50	888.18
50-60	807.80
60-70	624.12
70-80	380.70
80-90	127.00
Total	4999.51

