



Edge Lit Panels Flange Kit

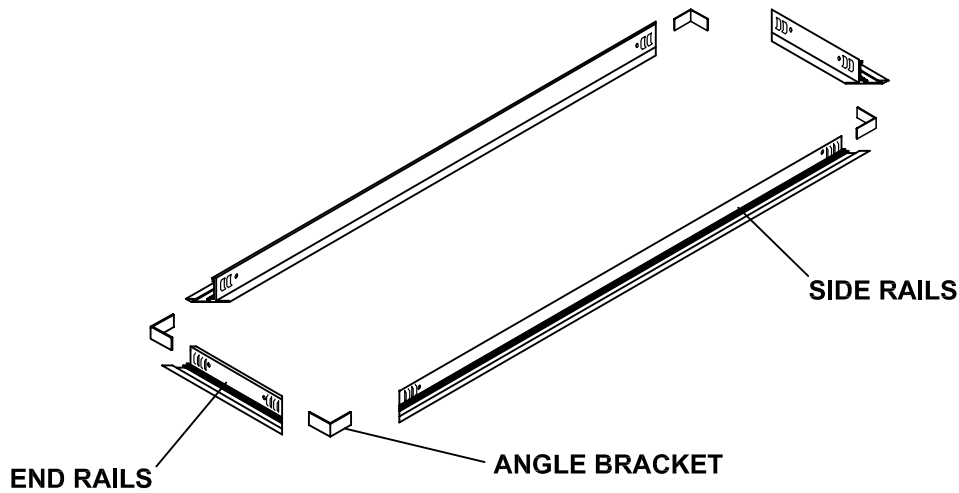
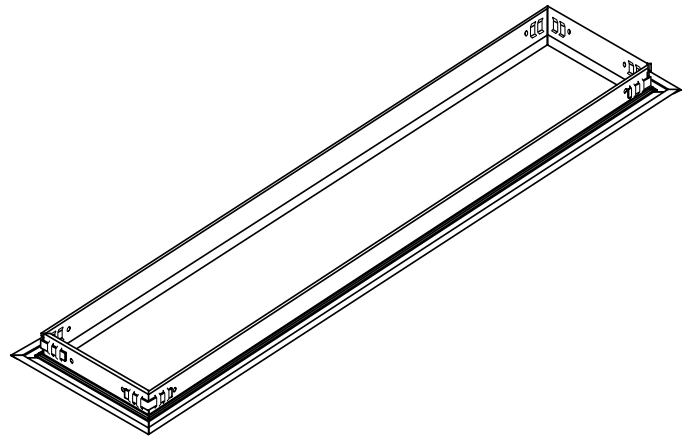
PROJECT INFORMATION

JOB NAME	
FIXTURE TYPE	Flange Kit for Edge Lit Panels
CATALOG NUMBER	
APPROVED BY	

SPECIFICATIONS

Construction:

- Extruded Aluminum
- White color finished



ORDERING INFORMATION

CATALOG #	DESCRIPTION	NOMINAL SIZE	CUTOUT OPEN	OUTSIDE FLANGE DIMENSIONS	MAXIMUM FIXTURE SIZE
FK14	Flange Kit for 1'x4' Edge Lit Panel	12" x 48"	12.375" x 48.5"	13.125" x 49.125"	11.9375" x 47.9375"
FK22	Flange Kit for 2'x2' Edge Lit Panel	24" x 24"	24.375" x 24.5"	25.125" x 25.125"	23.9375" x 23.9375"
FK24	Flange Kit for 2'x4' Edge Lit Panel	24" x 48"	24.375" x 48.5"	25.125" x 49.125"	23.9375" x 47.9375"

Atlas Lighting Products, Inc.

PO Box 2348 | Burlington, NC 27216
800-849-8485 | fax: 1-855-847-2794 | www.atlasled.com