



House Side Shield for Eagle Series Area Light



PROJECT INFORMATION

JOB NAME	
FIXTURE TYPE	House Side Shield for SLPM
CATALOG NUMBER	
APPROVED BY	

SPECIFICATIONS

Construction:

- Steel

Dimensions:

- 2.75" x 7" x 14.375"

Features:

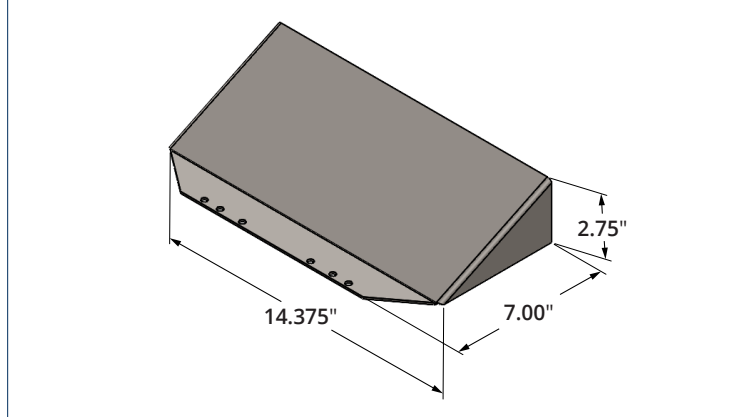
- Glare shield can be installed to any side of the fixture.

Warranty:

- Five-year limited warranty



DIMENSIONS



ORDERING INFORMATION

CATALOG #	DESCRIPTION	FINISH
HSSM	House Side Shield for SLPM	Bronze