



| | |
|-----------------|-------|
| CATALOG NUMBER: | |
| JOB NAME: | |
| CUSTOMER NAME: | |
| NOTES: | TYPE: |
| | DATE: |

FEATURES AND SPECIFICATIONS

FLUORESCENT INDUSTRIAL LIGHTING

IFH SERIES

6 LAMP T5-T8 I-LINE HIGH BAY

Construction:

- Heavy Duty Construction
- 20 Gauge Steel Housing
- Post Painted Polyester Coat Finish

Optics:

- Miro4 Reflector

Electrical:

- Suitable for 50° Ambient Operation
- Quick Wire Access Panel Allows for Easy Power Connection

Mounting:

- Options Include:
- Chain, Cable or Toggle Mounting

Specifications:

- Overall height: 3.25" (8.255 cm)
- Width: 19.25" (48.90 cm)
- Length: 46.25" (117.475 cm)

Warranty:

Atlas Lighting Products provides a 3 year limited warranty for this product. A full warranty can be found at www.alpinc.com

Fixture Efficiency >90%



Miro-4 ≥ 95% Reflectance High Efficiency White ≥ 91% Reflective



ACCESSORIES

Mounting

- CH36 Chain Set
- CH36HFC Chain Set w/ Hammer-On Flange Clip
- CA36 Cable Set

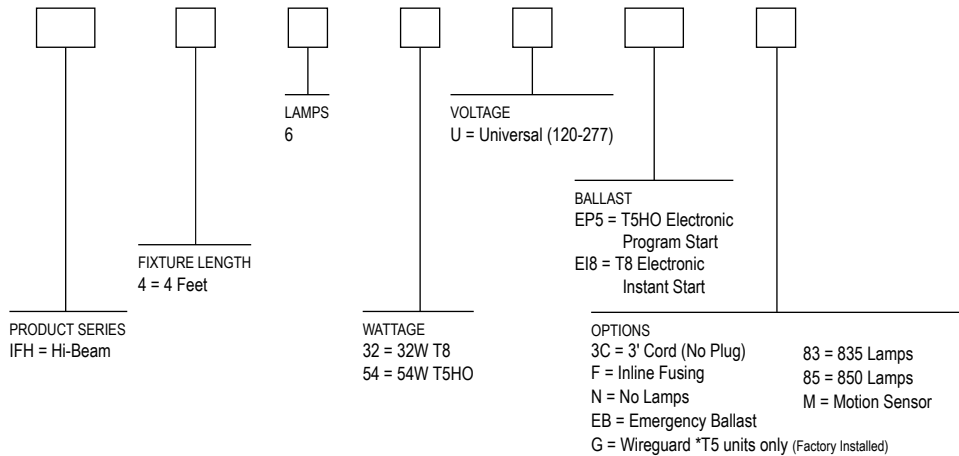
Motion Sensors

- MS360 360° Motion Sensor

ORDERING INFORMATION

Order accessories as separate catalog numbers (shipped separately).

example:



Actual performance can vary depending on operating conditions. Specifications are subject to change without notice.

ATLAS LIGHTING PRODUCTS, INC.

PO BOX 2348 | BURLINGTON, NC 27216

800-849-8485 | FAX: 336-227-0110 | www.atlaslightingproducts.com



FLUORESCENT INDUSTRIAL LIGHTING
IFH SERIES
6 LAMP T5-T8 I-LINE HIGH BAY

**FLUORESCENT
HIGH BAY**

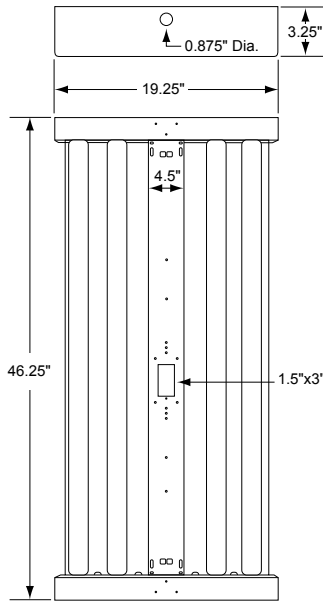
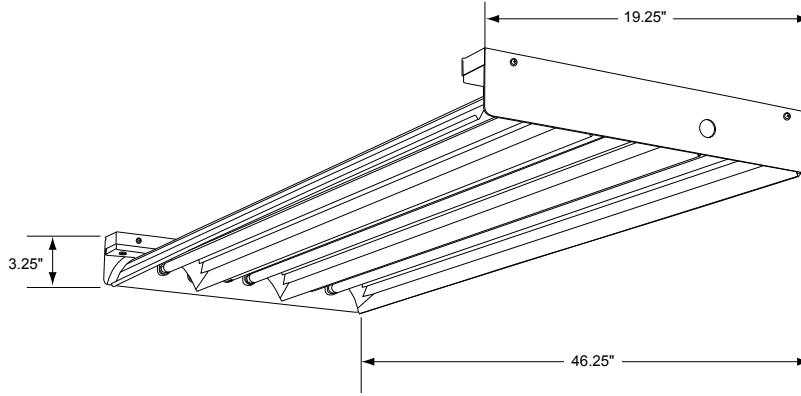
DIMENSIONS

Specifications:

Overall height:
3.25" (8.255 cm)

Width:
19.25" (48.90 cm)

Length:
46.25" (117.475 cm)



Dimensions are for
wide optics unit

Actual performance can vary depending on operating conditions. Specifications are subject to change without notice.

ATLAS LIGHTING PRODUCTS, INC.

PO BOX 2348 | BURLINGTON, NC 27216

800-849-8485 | FAX: 336-227-0110 | www.atlaslightingproducts.com