



Pendant Mount Kit for Independence High Bays (IHB)

PROJECT INFORMATION

JOB NAME	
FIXTURE TYPE	Pendant Mount Kit
CATALOG NUMBER	IHB-PMK
APPROVED BY	

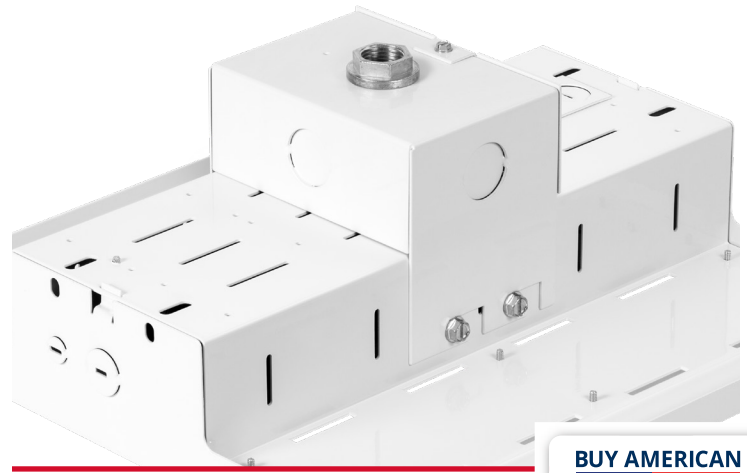
SPECIFICATIONS

Construction:

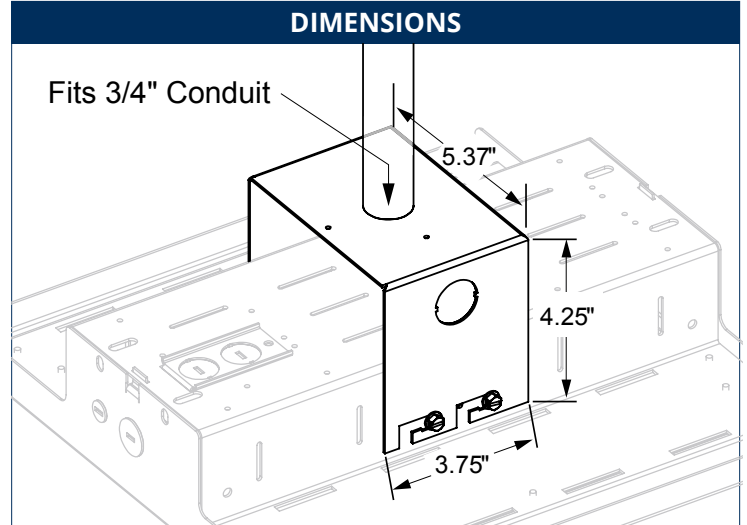
- Pre-drilled holes in fixture housing
- Accepts 3/4" Rigid Conduit
- Single Point Mounting

Specifications:

- Height: 4.25" (10.80 cm)
- Width: 3.75" (9.53 cm)
- Depth: 5.37" (13.65 cm)



DIMENSIONS



ORDERING INFORMATION

CATALOG #	DESCRIPTION	STD. PKG.
IHB-PMK	Pendant Mount Kit for IHB Units	1