



**Linear**  
2' | 4' High Bay

**PROJECT INFORMATION**

JOB NAME	
FIXTURE TYPE	Linear High Bay
CATALOG NUMBER	
APPROVED BY	

**SPECIFICATIONS**

**Construction:**

The heavy duty construction is made of rigid 20 gauge steel that has a post painted polyester coat finish. The lightweight heat sinks are designed to perform in ambient temperatures up to 60°C. The Quick Wire access panel allows for easy power connection.

**Tool-less Snap-on Lens:**

The high transmission lens, with 91% efficiency, is high impact, scratch resistant and protects the LEDs. At the same time it delivers improved visual comfort by eliminating any glare and providing a wider smoother and more uniform light output.

**Electrical:**

AC Input: 120/208/240/277V 347/480V  
 Constant current, Class 2 120-277 VAC, 47-63Hz  
 High Efficiency – min. 85%  
 Off-State Power: 0 Watts  
 Temperatures: Min Start: -35°C Max: 60°C  
 L70 Calculated Life: >200,000 Hours<sup>1</sup>

**LEDs:**

Atlas LEDs provide higher lumen output, greater energy efficiency and more reliable fixture performance. LEDs manufactured for the ILH series utilize Epoxy Guard conformal coating which reduces the chance of board corrosion. ILH series fixtures operate at 4000K, 4500K and 5000K CCT.

**Listings:**

Luminaire is certified to UL/cUL Standards for Damp Locations DesignLights Consortium qualified luminaire, eligible for rebates from DLC member utilities. <sup>2</sup>See chart on last page for qualifying products.

**Testing:**

Atlas LED luminaires have been tested by an independent laboratory in accordance with IESNA LM-79 & LM-80.

**Installation:**

Suitable for suspension by chain, cable, or single (pendant) monopoint. To maintain ambient listing, mount minimum 6" from ceiling.

**Warranty:**

Five-year limited warranty

**Additional Options:**

For 480V add suffix 4 to part number.  
 Emergency Back-Up add suffix EB to part number.



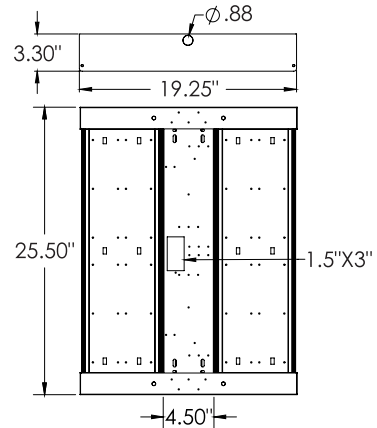
**BUY AMERICAN**



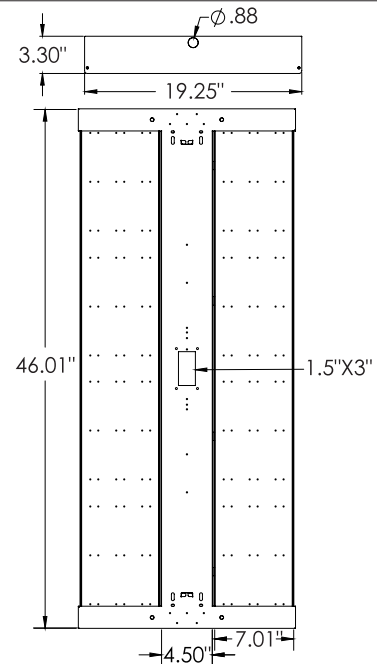
**COMPLIANT\***

**DIMENSIONS**

Weight: 12.9 lbs.



Weight: 17 lbs.



**Rebates and Incentives are available in many areas. Contact an Atlas Representative for more information.**

<sup>1</sup>LED Life Span Based Upon LM-70 Test Results

\*The majority of Atlas Lighting Products are assembled in USA facilities by an American Workforce utilizing both Domestic and Foreign components. Meets Buy American requirements within the ARRA.



**Linear**  
2' | 4' High Bay

### ORDERING INFORMATION

ILH	2	18L	L		
PRODUCT SERIES	FIXTURE LENGTH	LUMEN PACKAGE	LENS OPTION	COLOR TEMP.	OPTIONS
ILH = LED Linear High Bay	2 = 2 Feet 4 = 4 Feet	18L = 18,000 Lumen Package 24L = 24,000 Lumen Package 30L = 30,000 Lumen Package 36L = 36,000 Lumen Package 48L = 48,000 Lumen Package	Blank = Without Lens L = With Lens	Blank = 4500K 4K = 4000K 5K = 5000K	xC* = 3' Cord (No Plug) xT* = 3' 120V Cord & Plug xE* = 3' 208V Cord & Plug xF* = 3' 240V Cord & Plug xS* = 3' 277V Cord & Plug F = Inline Fusing EB = Emergency Back-Up M = Motion Sensor P = Pendant Mount IC = Integrated Control 4 = 480V Driver  <small>*x = 3 for 3' Cord; 6 for 6' cord, 10 for 10' cord; and 20 for 20' cord lengths</small>

### PERFORMANCE DATA

UNIT	FIXTURE LENGTH	CRI	4000K CCT		4500K CCT		5000K CCT		WATTAGE	REPLACES UP TO
			DELIVERED LUMENS	EFFICACY (LPW)	DELIVERED LUMENS	EFFICACY (LPW)	DELIVERED LUMENS	EFFICACY (LPW)		
<b>Without Lens</b>										
ILH218L	2'	80	20,240	139	20,240	139	20,240	139	146	4L T8 FL
ILH224L	2'	80	25,342	152	25,870	138	25,342	152	167/187	175W MH
ILH230L	2'	80	30,716	154	n/a	n/a	30,716	154	199	250W MH
ILH436L	4'	80	37,295	156	35,993	151	35,993	151	239	250W MH
ILH448L	4'	80	46,352	151	44,734	146	44,734	146	307	250W MH
<b>With Lens</b>										
ILH218LL	2'	80	18,870	130	18,870	130	18,870	130	145	4L T8 FL
ILH224LL	2'	80	23,757	143	24,230	130	23,757	143	167/187	175W MH
ILH230LL	2'	80	28,757	144	n/a	n/a	28,757	144	199	250W MH
ILH436LL	4'	80	35,162	147	33,935	142	33,935	147	239	250W MH
ILH448LL	4'	80	43,528	142	42,009	137	42,009	137	306	400W MH

### DLC PRODUCT INFORMATION

UNIT	FIXTURE LENGTH	4000K CCT		4500K CCT		5000K CCT	
		DLC PRODUCT ID	CLASSIFICATION	DLC PRODUCT ID	CLASSIFICATION	DLC PRODUCT ID	CLASSIFICATION
<b>Without Lens</b>							
ILH218L	2'	n/a	n/a	n/a	n/a	n/a	n/a
ILH224L	2'	n/a	n/a	n/a	n/a	n/a	n/a
ILH230L	2'	n/a	n/a	n/a	n/a	n/a	n/a
ILH436L	4'	PJUYNLM	Standard	PAJ7DLVS	Standard	P1V0GP90	Standard
ILH448L	4'	PA67GY1W	Standard	PJ52191T	Standard	POQDNXBN	Standard
<b>With Lens</b>							
ILH218LL	2'	n/a	n/a	n/a	n/a	n/a	n/a
ILH224LL	2'	n/a	n/a	n/a	n/a	n/a	n/a
ILH230LL	2'	n/a	n/a	n/a	n/a	n/a	n/a
ILH436LL	4'	PZWEDP42	Standard	PTMBL480	Standard	PBLXL4SB	Standard
ILH448LL	4'	P3KCYWLF	Standard	PA6Y6JB4	Standard	PLBXG7JZ	Standard