



Linear

4' | 8' Lensed Strip

PROJECT INFORMATION

JOB NAME	
FIXTURE TYPE	Linear Lensed Strip
CATALOG NUMBER	
APPROVED BY	

SPECIFICATIONS

Construction:

Rigid 22 gauge post painted housing is available for individual or continuous row mounting. The tool-less access allows easy entry into the wireway chamber.

Lens:

High transmission custom extruded frosted acrylic radius lens eliminates bright spots from individual LED's and provides high vertical illumination and visual comfort.

Electrical:

AC Input: 120/208/240/277V

Constant current, Class 2 120-277 VAC, 47-63Hz

High Efficiency – min. 85%

Off-State Power: 0 Watts

Temperatures: Min Start: -30°C to +50°C (-22°F to +122°F)

Dimming 0-10V

60,000+ hrs. lifespan¹

LEDs:

Atlas LEDs provide higher lumen output, greater energy efficiency and more reliable fixture performance. LEDs manufactured for the ILS series utilize Epoxy Guard conformal coating which reduces the chance of board corrosion. ILS series fixtures operate at 3500K, 4000K & 5000K CCT

Listings:

Luminaire is certified to UL/cUL Standards for Damp Locations

Testing:

Atlas LED luminaires have been tested by an independent laboratory in accordance with IESNA LM-79 & LM-80.

Installation:

Suitable for surface, pendant, grid and chain mounting. Alignment couplers furnished for continuous row installation.

Warranty:

Five-year limited warranty

Additional Options:

For factory installed Emergency Back-Up add suffix EB to part number.

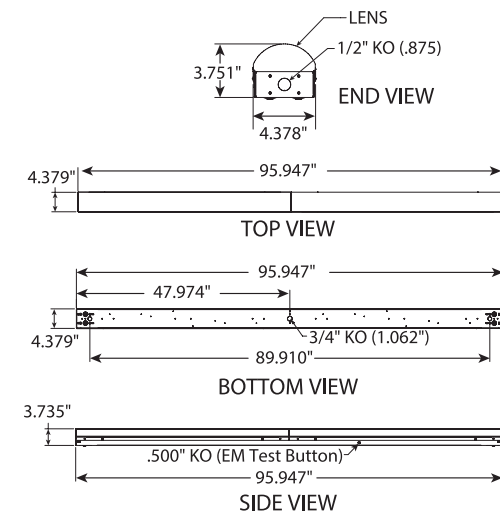
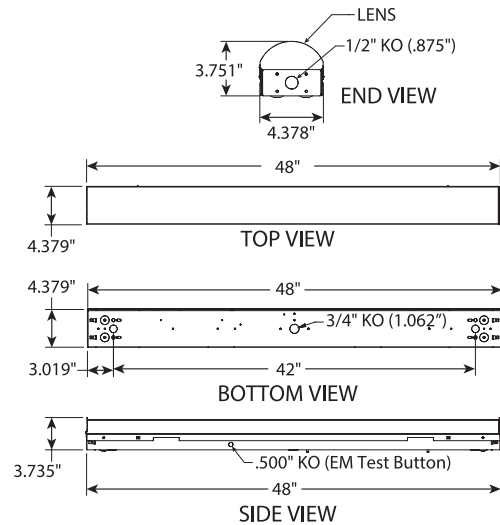


BUY AMERICAN



COMPLIANT*

DIMENSIONS



Rebates and Incentives are available in many areas. Contact an Atlas Representative for more information.

¹LED Life Span Based Upon LM-80 Test Results



Linear
4' | 8' Lensed Strip

ORDERING INFORMATION

ILS	4	5L	L	4	
PRODUCT SERIES	FIXTURE LENGTH	LUMEN PACKAGE	LENS OPTION	COLOR TEMP.	OPTIONS
ILS = LED Linear Industrial Strip	4 = 4 Feet 8 = 8 Feet	3L = 3,000 Lumen Package 5L = 5,000 Lumen Package 6L = 6,000 Lumen Package 8L = 8,000 Lumen Package	L = With Lens	35 = 3500K CCT 4 = 4000K CCT 5 = 5000K CCT	xC* = 3' Cord (No Plug) xT* = 3' 120V Cord & Plug xE* = 3' 208V Cord & Plug xF* = 3' 240V Cord & Plug xS* = 3' 277V Cord & Plug EB = Emergency Back-Up M = Motion Sensor IC = Integrated Control <i>*x = 3 for 3' Cord; 6 for 6' cord, 10 for 10' cord; and 20 for 20' cord lengths</i>

PERFORMANCE DATA

UNIT	FIXTURE LENGTH	CRI	3500K CCT		4000K CCT		5000K CCT		WATTAGE	REPLACES UP TO
			DELIVERED LUMENS	EFFICACY (LPW)	DELIVERED LUMENS	EFFICACY (LPW)	DELIVERED LUMENS	EFFICACY (LPW)		
ILS43LL	4'	80	3,041	135	3,032	134	3,242	143	23	70W MH
ILS45LL	4'	80	5,017	131	5,002	130	5,348	139	38	4L T8 FL
ILS46LL	4'	80	6,036	138	6,018	137	6,434	147	44	4L T8 FL
ILS48LL	4'	80	8,072	132	8,048	132	8,605	141	61	4L T8 FL
ILS88LL	8'	80	8,212	136	8,075	133	8,664	143	61	4L T8 FL