



Opulence Series

Outdoor Decorative Post Top



PROJECT INFORMATION

JOB NAME	
FIXTURE TYPE	Opulence Small Post Top
CATALOG NUMBER	OPS
APPROVED BY	

SPECIFICATIONS

Construction:

- Rugged die-cast aluminum housing.
- Fixtures are finished with polyester powder coat finishing process. The finish withstands extreme weather changes without cracking or peeling.

Optical System:

- High density LED optical system delivers industry leading optical performance and visual comfort.
- 7 distribution types 3W, 4F, 5Q, 5C, 5R, 5D & AD.
- Diffused lens version provides maximum visual comfort with reduced brightness and LED pixelization
- Available in 2700K, 3000K, 3500K, 4000K, 4500K and 5000K color temperatures per ANSI C78.377. Also available in Phosphor Converted Amber with Peak intensity at 610nm.
- Minimum CRI of 80.

Electrical:

- High-performance driver features overvoltage, under-voltage, short-circuit and over temperature protection (6kV surge standard).
- 0-10V dimming driver (optional extended leads).
- Standard Universal Voltage (120-277 VAC) Input 50/60 Hz or optional High Voltage (347-480 VAC).
- Total harmonic distortion: <20%
- Operating temperature: -40°C to +40°C (-40°F to +104°F).
- Power factor: >.90
- Input power stays constant over life.
- Field replaceable 10kV surge protection device meets a minimum Category C Low operation (per ANSI/IEEE C62.41.2).
- Driver is fully encased in potting material for moisture resistance and complies with FCC standards. Driver and key electronic components can easily be accessed.

Listings:

- Luminaire is certified to UL/cUL Standards for Wet Locations.
- IP66 rated Luminaire per IEC 60598-1.
- 3G rated for ANSI C136.31 high vibration applications.
- DesignLights Consortium qualified luminaire, eligible for rebates from DLC member utilities. *See chart on last page for qualifying products.*

Installation:

- Designed to mount directly to a 2 3/8" - 3" outer diameter tenon (4" tall).

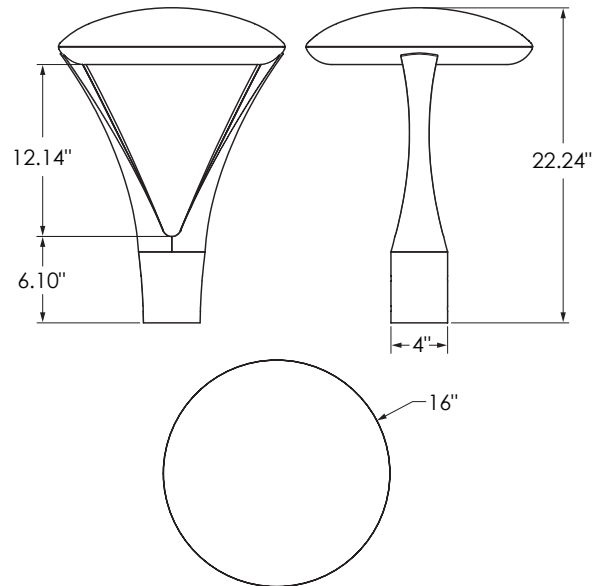
Warranty:

- Five-year limited warranty.



DIMENSIONS

Weight: 25 lbs.
EPA: 0.75



Rebates and Incentives are available in many areas. Contact an Atlas Representative for more information.

¹LED Life Span Based Upon LM-80 Test Results



Opulence Series Outdoor Decorative Post Top

ORDERING INFORMATION

OPS	PT	8L	5D	UNV	40K8	BRZ	
PRODUCT SERIES	MOUNTING	LUMEN PACKAGE	DISTRIBUTION	VOLTAGE	COLOR TEMP.	FIXTURE COLOR	CONTROLS
OPS = Opulence Small	PT = Post Top (2 3/8" 3" Tenon)	3L = 3,000 Lumens 5L = 5,000 Lumens 6L = 6,000 Lumens 8L = 8,000 Lumens 10L = 10,000 Lumens 12L = 12,000 Lumens 14L = 14,000 Lumens	5Q = Type 5 Square 5C = Type 5 Concentrated 5R = Type 5 Rectangular 3W = Type 3 (Wide Throw) 4F = Type 4 (Forward Throw) 5D = Type 5 Diffused AD = Asymmetric Diffused	UNV = Universal Voltage (120-277V) HV = High Voltage (347-480V)	27K8 = 2700K / 80 CRI 30K8 = 3000K / 80 CRI 35K8 = 3500K / 80 CRI 40K8 = 4000K / 80 CRI 45K8 = 4500K - 80 CRI 50K8 = 5000K / 80 CRI AMB = Phosphor Converted Amber ¹	BRZ = Dark Bronze	Blank = None ALBCS1 = AirLink Blue Wireless Motion & Photo Sensor Controller (8-24' mounting height) ³ ALBCS2 = AirLink Blue Wireless Motion & Photo Sensor Controller (25-40' mounting height) ³ CR7P = 7 Pin Control Receptacle ANSI C136.413 IMSBT1L = Integral Bluetooth™ Motion and Photocell Sensor (8 - 24' mounting height) ^{2,3} IMSBT2L = Integral Bluetooth™ Motion and Photocell Sensor (25 - 40' mounting height) ^{2,3} XT = 0-10v Dimming leads extended to housing exterior
¹ Amber LEDs not available in 12L or 14L lumen packages ² IMSBT _x L is field configurable via the Leviton app that can be downloaded from your smartphone's app store. ³ Not available on 4500K							

CONTROLS ACCESSORIES ORDERING INFORMATION⁴

CATALOG #	DESCRIPTION
122514	Twist Lock Photocell (120V) for use with CR7P
122515	Twist Lock Photocell (208-277) for use with CR7P
122516	Twist Lock Photocell (347V) for use with CR7P
1225180	Twist Lock Photocell (480V) for use with CR7P
661409	AirLink 5 Pin Twist Lock Controller
661410	AirLink 7 Pin Twist Lock Controller
149328	Shorting Cap for use with CR7P

FUSING ACCESSORIES ORDERING INFORMATION⁵

CATALOG #	DESCRIPTION
FK120	Single Fusing (120V)
FK277	Single Fusing (277V)
DFK347	Double Fusing (347V)
DFK480	Double Fusing (480V)

MOUNTING ACCESSORIES ORDERING INFORMATION⁶

CATALOG # ⁷	DESCRIPTION
764420CLR	Internal Flush Mount Adapter for 4" OD Round Pole
761587CLR	Post Top Wall Mount Bracket
761588CLR	D180 Post Top Arm Bracket
694638CLR	Internal Tenon Adapter for 4" Square Pole
694641CLR	Internal Tenon Adapter for 5" Square Pole
694642CLR	Internal Tenon Adapter for 6" Square Pole
483859CLR	Decorative Base Cover (4 / 5" Round Poles)
751632	10' Linear Bird Spike Kit (4' Recommended per Luminaire)
781340	EHS - External Shield (Black Finish Only)

⁴Control device or shorting cap must be ordered separately. See Accessory Ordering Information.

⁵Fusing must be located in hand hole of pole.

⁶Accessories are shipped separately and field installed.

⁷"CLR" to be replaced by paint finish selection. See Finish options for paint color selections.



Opulence Series
Outdoor Decorative Post Top

PERFORMANCE DATA

Lumen Package	Distribution	CRI	2700K CCT			3000K CCT			3500K CCT			4000K CCT			4500K CCT			5000K CCT			Wattage
			Delivered Lumens	Efficacy (LPW)	BUG Rating	Delivered Lumens	Efficacy (LPW)	BUG Rating	Delivered Lumens	Efficacy (LPW)	BUG Rating	Delivered Lumens	Efficacy (LPW)	BUG Rating	Delivered Lumens	Efficacy (LPW)	BUG Rating	Delivered Lumens	Efficacy (LPW)	BUG Rating	
3L	5Q	80	2,739	135	B1-U2-G1	2,828	139	B1-U2-G1	2,781	137	B1-U2-G1	2,895	143	B1-U2-G1				2,933	145	B1-U2-G1	20
	5C		2,812	139	B1-U3-G1	2,903	143	B1-U3-G1	2,855	141	B1-U3-G1	2,972	146	B1-U3-G1				3,011	148	B1-U3-G1	
	5R		2,708	132	B1-U2-G1	2,796	138	B1-U2-G1	2,750	134	B1-U2-G1	2,862	141	B2-U2-G2				2,900	143	B2-U2-G2	
	4F		2,714	134	B1-U2-G1	2,802	138	B1-U2-G1	2,756	136	B1-U2-G1	2,869	141	B1-U2-G1				2,907	143	B1-U2-G1	
	3W		2,705	133	B1-U2-G1	2,793	138	B1-U2-G1	2,747	135	B1-U2-G1	2,859	141	B1-U2-G1				2,897	143	B1-U2-G1	
	5D		2,522	124	B1-U2-G1	2,604	128	B1-U2-G1	2,561	126	B1-U2-G1	2,665	131	B1-U2-G1				2,701	133	B1-U2-G1	
	AD		2,529	125	B1-U2-G1	2,611	129	B1-U2-G1	2,568	127	B1-U2-G1	2,672	132	B1-U2-G1				2,708	133	B1-U2-G1	
5L	5Q	80	4,525	131	B2-U3-G1	4,672	135	B2-U3-G1	4,595	133	B2-U3-G1	4,782	139	B2-U3-G1				4,845	140	B2-U3-G1	34
	5C		4,645	135	B2-U3-G1	4,796	139	B2-U3-G1	4,717	137	B2-U3-G1	4,909	142	B2-U3-G1				4,974	144	B2-U3-G1	
	5R		4,474	130	B2-U3-G2	4,619	134	B2-U3-G2	4,543	132	B2-U3-G2	4,728	137	B2-U3-G2				4,791	139	B2-U3-G2	
	4F		4,484	130	B1-U3-G1	4,630	134	B1-U3-G1	4,553	132	B1-U3-G1	4,739	137	B1-U3-G1				4,802	139	B1-U3-G1	
	3W		4,468	129	B1-U3-G1	4,614	134	B1-U3-G1	4,538	131	B1-U3-G1	4,723	137	B1-U3-G1				4,785	139	B1-U3-G1	
	5D		4,166	121	B2-U3-G1	4,301	125	B2-U3-G1	4,231	123	B2-U3-G1	4,403	128	B2-U3-G1				4,461	129	B2-U3-G1	
	AD		4,177	121	B1-U3-G1	4,313	125	B1-U3-G1	4,242	123	B1-U3-G1	4,415	128	B1-U3-G1				4,474	130	B1-U3-G1	
6L	5Q	80	5,362	132	B2-U3-G1	5,536	136	B2-U3-G1	5,445	134	B2-U3-G1	5,667	140	B2-U3-G1				5,742	141	B2-U3-G1	41
	5C		5,505	136	B2-U3-G1	5,684	140	B2-U3-G1	5,590	138	B2-U3-G1	5,818	143	B2-U3-G1				5,895	145	B2-U3-G1	
	5R		5,302	131	B2-U3-G2	5,474	135	B2-U3-G2	5,384	133	B2-U3-G2	5,603	138	B2-U3-G2				5,677	140	B2-U3-G2	
	4F		5,314	131	B1-U3-G1	5,486	135	B1-U3-G1	5,396	133	B1-U3-G1	5,616	138	B1-U3-G1				5,690	140	B1-U3-G1	
	3W		5,295	130	B2-U3-G1	5,467	135	B2-U3-G1	5,378	132	B2-U3-G1	5,597	138	B2-U3-G1				5,671	140	B2-U3-G1	
	5D		4,937	122	B2-U3-G1	5,097	126	B2-U3-G1	5,014	123	B2-U3-G1	5,218	129	B2-U3-G1				5,287	130	B2-U3-G1	
	AD		4,950	122	B2-U3-G1	5,111	126	B2-U3-G1	5,027	124	B2-U3-G1	5,232	129	B2-U3-G1				5,301	131	B2-U3-G1	
8L	5Q	80	7,185	130	B3-U3-G1	7,419	134	B3-U3-G1	7,297	132	B3-U3-G1	7,594	138	B3-U3-G1				7,695	139	B3-U3-G1	55
	5C		7,376	134	B2-U3-G1	7,616	138	B2-U3-G1	7,491	136	B2-U3-G1	7,796	141	B3-U3-G1				7,899	143	B3-U3-G1	
	5R		7,104	129	B3-U3-G3	7,335	133	B3-U3-G3	7,214	131	B3-U3-G3	7,508	136	B3-U3-G3				7,608	138	B3-U3-G3	
	4F		7,120	129	B2-U3-G1	7,352	133	B2-U3-G1	7,231	131	B2-U3-G1	7,525	136	B2-U3-G1				7,625	138	B2-U3-G1	
	3W		7,096	129	B2-U3-G2	7,326	133	B2-U3-G2	7,206	131	B2-U3-G2	7,499	136	B2-U3-G2				7,599	138	B2-U3-G2	
	5D		6,616	120	B2-U3-G1	6,831	124	B2-U3-G1	6,718	122	B2-U3-G1	6,992	127	B2-U3-G1				7,085	128	B2-U3-G1	
	AD		6,634	120	B2-U3-G2	6,849	124	B2-U3-G2	6,736	122	B2-U3-G2	7,011	127	B2-U3-G2				7,104	129	B2-U3-G2	
10L	5Q	80	9,061	128	B3-U3-G1	9,355	132	B3-U3-G1	9,201	130	B3-U3-G1	9,576	136	B3-U3-G1				9,703	137	B3-U3-G1	70
	5C		9,302	132	B3-U3-G1	9,604	136	B3-U3-G1	9,446	134	B3-U3-G1	9,831	139	B3-U3-G1				9,961	141	B3-U3-G1	
	5R		8,959	127	B3-U3-G3	9,250	131	B3-U3-G3	9,097	129	B3-U3-G3	9,468	134	B3-U3-G3				9,594	136	B3-U3-G3	
	4F		8,979	127	B2-U3-G2	9,271	131	B2-U3-G2	9,118	129	B2-U3-G2	9,490	134	B2-U3-G2				9,616	136	B2-U3-G2	
	3W		8,948	127	B2-U3-G2	9,239	131	B2-U3-G2	9,087	129	B2-U3-G2	9,457	134	B2-U3-G2				9,583	136	B2-U3-G2	
	5D		8,343	118	B3-U3-G2	8,614	122	B3-U3-G2	8,472	120	B3-U3-G2	8,817	125	B3-U3-G2				8,934	126	B3-U3-G2	
	AD		8,365	118	B2-U3-G2	8,637	122	B2-U3-G2	8,495	120	B2-U3-G2	8,841	125	B2-U3-G2				8,958	127	B2-U3-G2	
12L	5Q	80	10,801	126	B3-U3-G1	11,152	130	B3-U3-G1	10,968	128	B3-U3-G1	11,415	134	B3-U3-G1				11,566	135	B3-U3-G1	85
	5C		11,088	130	B3-U3-G1	11,448	134	B3-U3-G1	11,260	132	B3-U3-G1	11,718	137	B3-U3-G1				11,874	139	B3-U3-G1	
	5R		10,679	125	B3-U3-G3	11,026	129	B3-U3-G3	10,844	127	B3-U3-G3	11,286	132	B3-U3-G3				11,436	134	B3-U3-G3	
	4F		10,703	125	B2-U3-G2	11,051	129	B2-U3-G2	10,869	127	B2-U3-G2	11,312	132	B2-U3-G2				11,462	134	B2-U3-G2	
	3W		10,666	125	B2-U3-G2	11,013	129	B2-U3-G2	10,832	127	B2-U3-G2	11,273	132	B2-U3-G2				11,423	134	B2-U3-G2	
	5D		9,945	116	B3-U3-G2	10,268	120	B3-U3-G2	10,099	118	B3-U3-G2	10,510	123	B3-U3-G2				10,650	125	B3-U3-G2	
	AD		9,972	117	B2-U3-G2	10,296	120	B2-U3-G2	10,126	118	B2-U3-G2	10,539	123	B2-U3-G2				10,679	125	B2-U3-G2	
14L	5Q	80	12,487	124	B3-U3-G2	12,893	128	B3-U3-G2	12,681	126	B3-U3-G2	13,197	131	B3-U3-G2				13,372	133	B3-U3-G2	100
	5C		12,819	128	B3-U3-G1	13,236	132	B3-U3-G1	13,018	130	B3-U3-G1	13,548	135	B3-U3-G1				13,728	137	B3-U3-G1	
	5R		12,346	123	B3-U3-G3	12,747	127	B3-U3-G3	12,537	125	B3-U3-G3	13,048	130	B3-U3-G3				13,221	132	B3-U3-G3	
	4F		12,374	123	B2-U3-G2	12,776	127	B2-U3-G2	12,566	125	B2-U3-G2	13,078	130	B2-U3-G2				13,252	132	B2-U3-G2	
	3W		12,332	123	B2-U3-G2	12,732	127	B3-U3-G3	12,523	125	B3-U3-G3	13,033	130	B3-U3-G3				13,206	132	B3-U3-G3	
	5D		11,497	114	B3-U3-G2	11,871	118	B3-U3-G2	11,675	116	B3-U3-G2	12,151	121	B3-U3-G2				12,312	123	B3-U3-G2	
	AD		11,528	114	B2-U3-G2	11,903	118	B2-U3-G2	11,707	116	B2-U3-G2	12,184	121	B2-U3-G2				12,346	123	B3-U3-G2	



Opulence Series
Outdoor Decorative Post Top

PERFORMANCE DATA

Lumen Package	Distribution	CRI	PC Amber			Wattage
			Delivered Lumens	Efficacy (LPW)	BUG Rating	
3L	5Q	80	1,966	89	B1-U2-G1	22
	5C		2,019	92	B1-U3-G1	
	5R		1,943	88	B1-U2-G1	
	4F		1,917	87	B1-U2-G1	
	3W		1,881	86	B1-U2-G1	
	5D		1,810	82	B1-U2-G1	
	AD		1,814	82	B1-U2-G1	
5L	5Q	80	3,177	88	B2-U3-G1	36
	5C		3,261	91	B2-U3-G1	
	5R		3,141	87	B2-U3-G2	
	4F		3,098	86	B1-U3-G1	
	3W		3,041	84	B1-U3-G1	
	5D		2,925	81	B2-U3-G1	
	AD		2,933	81	B1-U3-G1	
6L	5Q	80	3,650	85	B2-U3-G1	43
	5C		3,747	87	B2-U3-G1	
	5R		3,608	84	B2-U3-G2	
	4F		3,559	83	B1-U3-G1	
	3W		3,494	81	B2-U3-G1	
	5D		3,360	78	B2-U3-G1	
	AD		3,369	78	B2-U3-G1	
8L	5Q	80	4,934	84	B3-U3-G1	59
	5C		5,065	86	B2-U3-G1	
	5R		4,878	83	B3-U3-G3	
	4F		4,811	82	B2-U3-G1	
	3W		4,724	80	B2-U3-G2	
	5D		4,543	77	B2-U3-G1	
	AD		4,555	77	B2-U3-G2	
10L	5Q	80	6,016	81	B3-U3-G1	74
	5C		6,176	83	B3-U3-G1	
	5R		5,948	80	B3-U3-G3	
	4F		5,866	79	B2-U3-G2	
	3W		5,759	78	B2-U3-G2	
	5D		5,539	75	B3-U3-G2	
	AD		5,554	75	B2-U3-G2	