



origin

BY ATLAS LIGHTING

PROJECT INFORMATION

MODEL #: _____

UPC #: _____

Flood/Area Light



Specifications

Electrical Specifications

- Input Wattage:
Selectable 54-153W
- Efficacy: up to 150 LpW
- AC Input: 120/208/240/277V, 347/480V
- 7 Pin PC Receptacle & Shorting Cap Standard
- Driver: Constant current, Class 2, 120-277VAC 50/60Hz

Lighting Specifications

- Lumens: Selectable 8,000-20,000
- Color Temperature: 4000K, 5000K
- Color Rendering Index: 80
- BUG Rating:

Model	BUG Rating
ORALSEL12-24L4K	B3-U0-G3
ORALSEL12-24L5K	B4-U0-G2

Housing Specifications

- Die-cast aluminum housing
- Fully adjustable multi-mount bracket
- UV stabilized power coated finish
- Color: Bronze
- Lifespan: 50,000 hours

Optics

- Both Type 3 and Type 5 optics in carton (*easy to switch out*)

Listings

- ETL/cETL listed for wet locations
- DLC qualified luminaire, eligible for rebates from DLC member utilities.

Model	DLC Prod. ID
ORALSEL12-24L4K	S-COGKTN
ORALSEL12-24L5K	S-R5O8BD

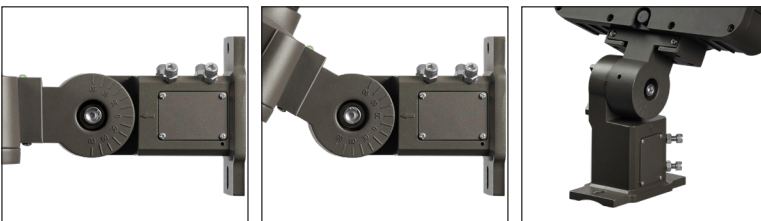
Warranty

- 5-Year limited warranty

Model	Optics	Watts	Lumens	Volts	CCT
ORALSEL12-24L4K*	Type 3	54	8,347	120-277	4000K
		78	11,651		
		104	14,845		
		127	17,253		
		153	19,701		
	Type 5	54	8,241		
		78	11,503		
		104	14,656		
		127	17,033		
		153	19,451		
ORALSEL12-24L5K*	Type 3	54	7,928	120-277	5000K
		78	11,067		
		104	14,101		
		127	16,388		
		151	18,713		
	Type 5	54	8,124		
		78	11,339		
		104	14,447		
		127	16,790		
		151	19,173		

*Add suffix 4 for 347/480V

FULLY ADJUSTABLE MULTI-MOUNT BRACKET



Pole mount, trunnion mount and slipfitter mount



PROJECT INFORMATION

MODEL #: _____

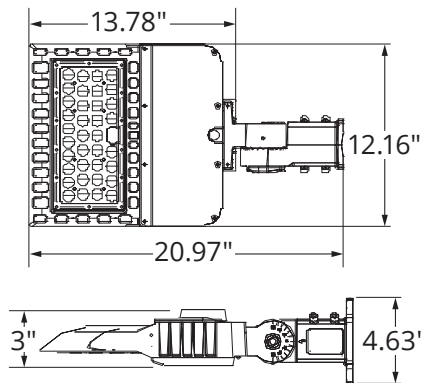
UPC #: _____

Flood/Area Light

Dimensions

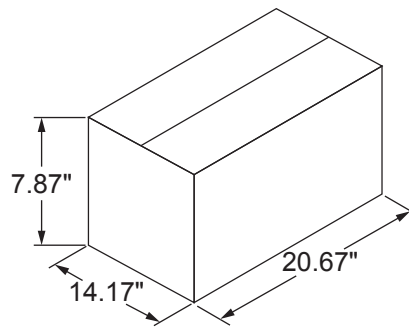
Product Dimensions

EPA: 0.40



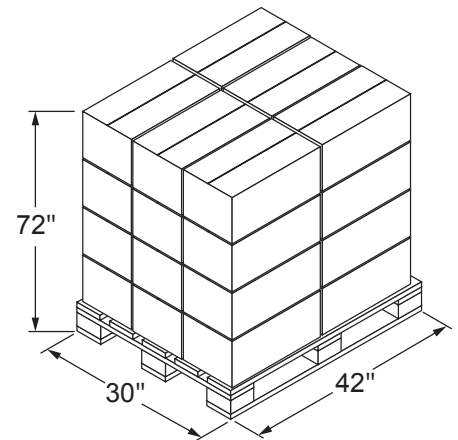
Carton Dimensions

Weight: 13.2 lbs.

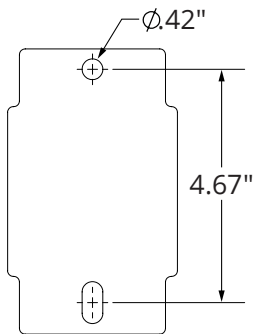


Pallet Dimensions

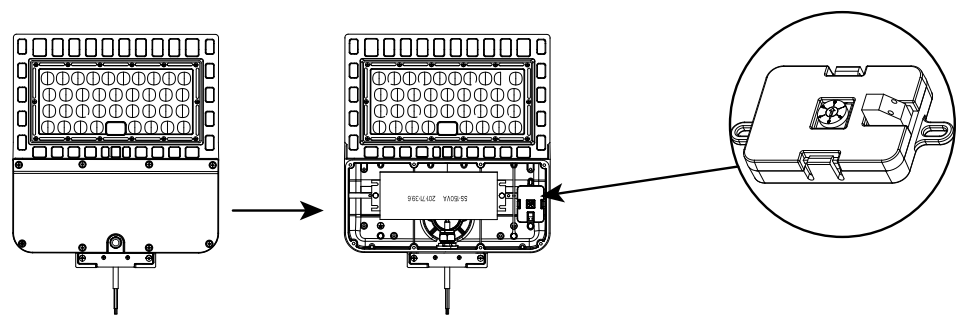
Qty: 36



Drill Pattern

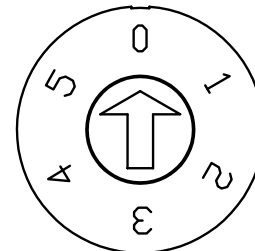


Installation



Lumen selectable switch has a total of 6 power options, which are 0, 1, 2, 3, 4, 5

- 0: Default**
- 1: 54W**
- 2: 78W**
- 3: 104W**
- 4: 127W**
- 5: 153W**



According to the required power, use a flat head screwdriver to rotate the arrow on the switch to adjust the corresponding power.