

Fully Selectable Area Light

Caution:

1. Do not use any electric generator to test this LED light.
2. Abide by related country, regional and local law and regulations when installing this fixture.
3. Turn off the power before installation or maintenance.
4. Proper grounding is required to ensure safety.
5. Ensure the light is facing downward after installation.

Notice:

1. To avoid possibility of electrical shock or fire, the installation personnel must have professional electric knowledge.
2. Please wear gloves to avoid injury before installation.
3. If any smoke or spark of the wire happens, please turn off the power immediately and notify relevant personnel.

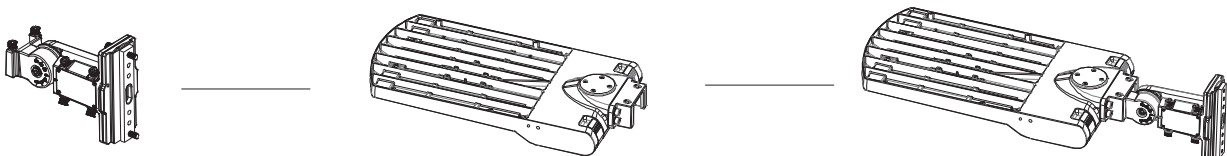
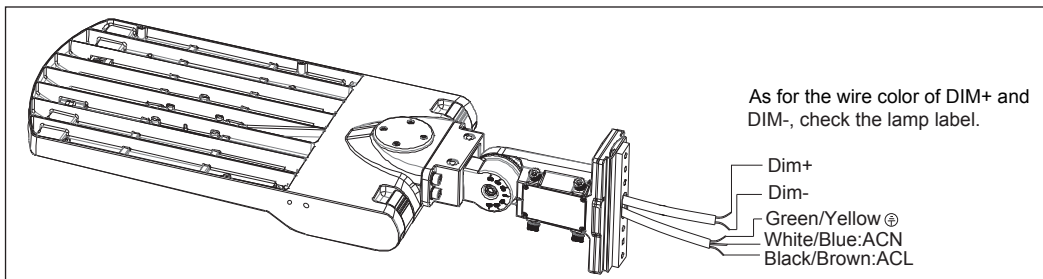
Attention:

1. Please check if there is any damage during shipping. If so, please contact manufacturer timely.
 2. Please read the installation instruction carefully to check whether all the accessories are present.
- After confirmation, Install the fixture according to installation steps.

Instructions:

1. This product has dimming function.
2. 3 dimming functions are available in this LED light.
 - a. Constant current can be achieved by 0-10VDC or 1-10VDC dimming.
 - b. PWM signal dimming.
 - c. Variation of resistance unit dimming (Please choose the appropriate dimming way according to your needs. You can also choose not to use this function).
3. Choose the wire connection, dimming and installation according to your needs and the led fixture purchased.

Wiring Diagram:



Fully Selectable Area Light

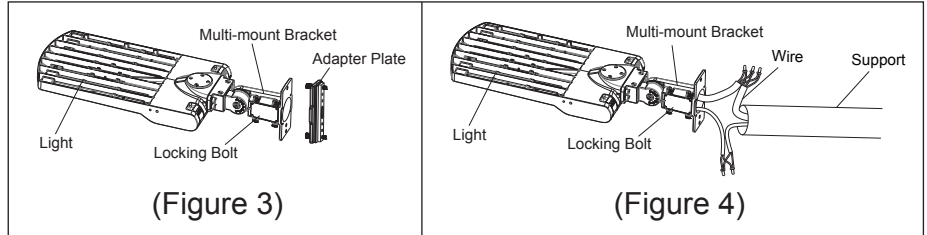
Installation of LED light

Step 1: Remove the adapter plate from multi-mount bracket (Figure 3)

Step 2: Loosen the four bolts on multi-mount bracket, connect the wires correctly, and pull the wires into the pole (Figure 4)

Step 3: Place the bracket into the pole and lock the four bolts (Figure 4)

Notice: Adjustable angle range is 0-90° (Figure 4)



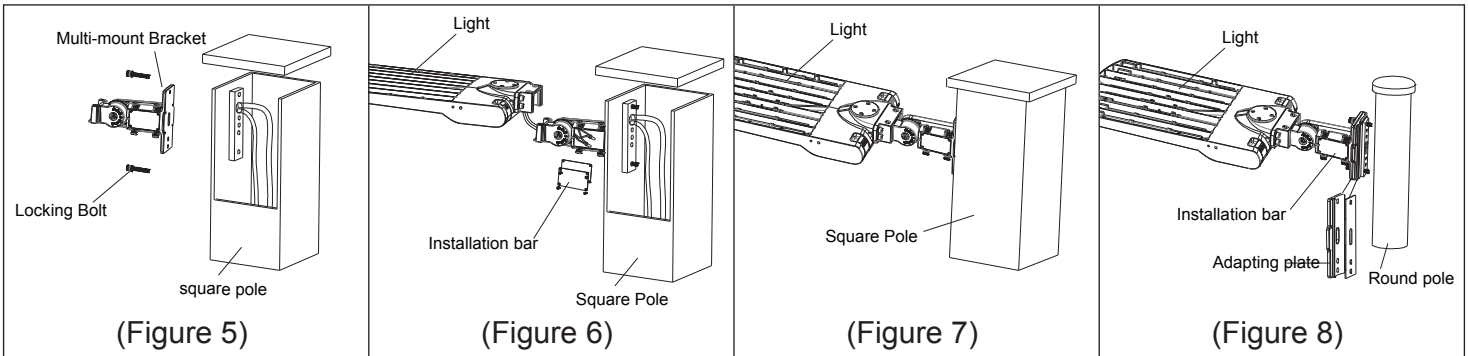
DIRECT MOUNTING

Step 1: Remove the four bolts from multi-mount bracket, remove four the rubber plugs from the installation bar, put the four rubber plugs on the place where the four bolts were previously placed on the bracket for waterproof purpose (Figure 5)

Step 2: Fix the multi-mount bracket to the square pole with bolt, open the cover of multi-mount bracket junction box, pull the wires into bracket junction box, connect the wires properly and cover the junction box (Figure 6)

Notice: Adjustable angle range is 0-90° (Figure 7)

Same as round pole installation, please remember to use the adapting plate for round pole installation (Figure 8)



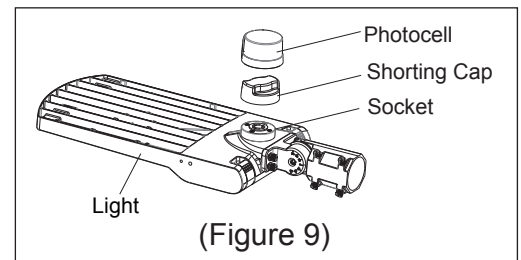
Instructions for Photocell

When the photocell function is required, photocell should be installed on the back of light;

When it's not required, shorting cap should be installed on the back of light Standard wire: (Figure 9)

L/live wire: Black\Brown; N/neutral wire: White\Blue;

Ground wire: Green\Yellow-green.



CCT & Wattage adjustment (figure 10)

1. Unscrew the 3/4 plug ;
2. Adjust the integrated switch for CCT & Wattage adjustable to get the desired CCT and Wattage according to the label on the fixture;
3. Install and tighten the 3/4 plug

