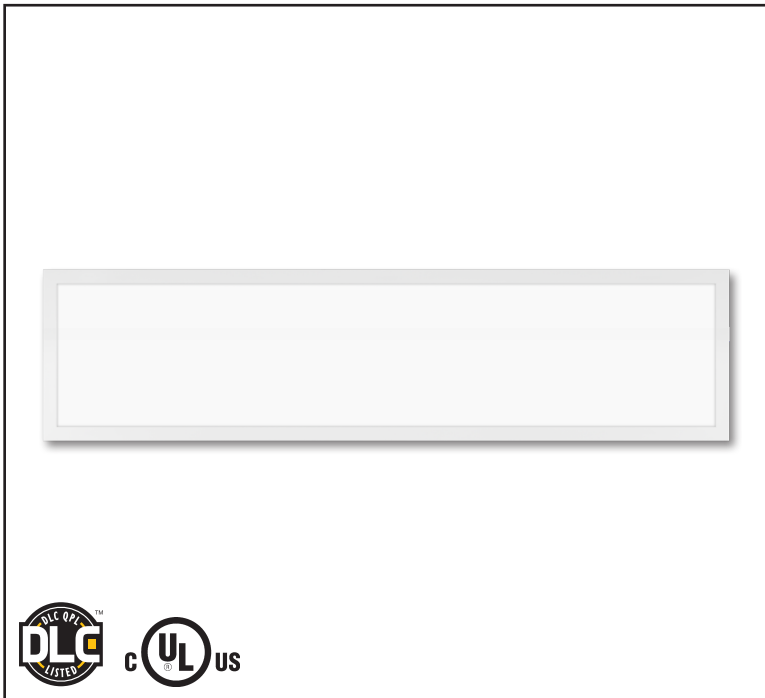




MODEL #: ORBLP14SEL2-4L

UPC #: 765364028915

1'x4' Selectable Panel



Specifications

Electrical Specifications

- Input Wattage: Selectable 15 - 33W
- Efficacy: 125 LpW
- AC Input: 120/208/240/277 V
- Driver: Constant current, Class 2, 120-277VAC 50/60Hz
- Dimming: 0-10V

Lighting Specifications

- Lumens: Selectable 1,875 - 4,125
- Color Temperature: Selectable 3500K, 4000K, 5000K CCT
- Color Rendering Index: 80

Housing Specifications

- Stamped aluminum housing
- Color: White
- Lifespan: 50,000 hours

Listings

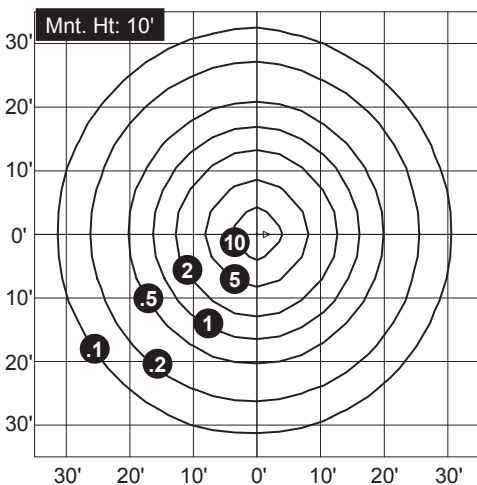
- UL/cUL standards for damp location
- DLC qualified luminaire, eligible for rebates from DLC member utilities. DLC Prod. ID: PZ57QVPA

Warranty

- 5-Year limited warranty

Model	Watts	Lumens	Volts	Color Temp.
ORBLP14SEL2-4L	15	1875	120-277	Selectable 3500K 4000K 5000K
	25	3125		
	33	4125		

Photometrics



Light Loss Factor	1.00
Total Lumens	4,125
Mounting Height	10'
Max. Calculated Value	13.55Fc



origin

BY ATLAS
LIGHTING

PROJECT INFORMATION

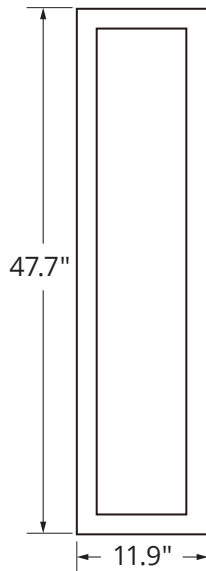
MODEL #: ORBLP14SEL2-4L

UPC #: 765364028915

1'x4' Selectable Panel

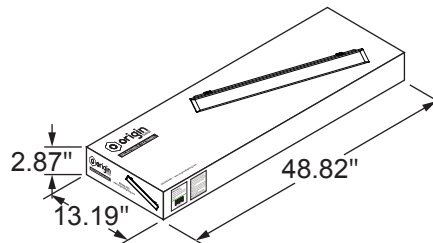
Dimensions

Product Dimensions



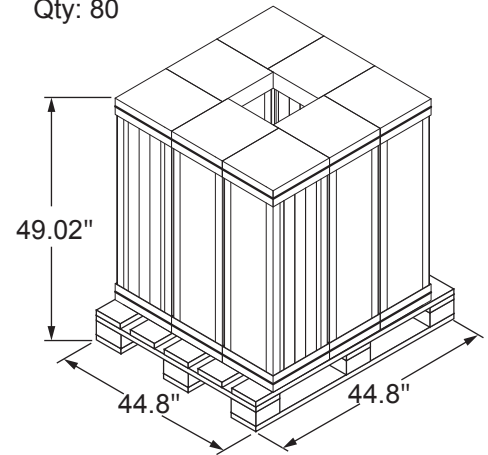
Carton Dimensions

Weight: 4.96 lbs.



Pallet Dimensions

Qty: 80

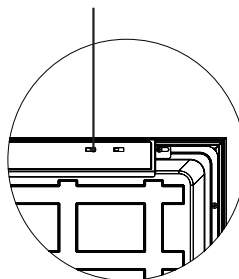


Installation

LUMEN AND CORRELATED COLOR TEMPERATURE SELECTABLE INSTRUCTIONS

Different lumen and correlated color temperature levels can be achieved by setting the switch on the driver cover to different positions.

Lumen Selection



CCT Selection

