



MODEL #: _____
 UPC #: _____

Round High Bay



Specifications

Electrical Specifications

- Input Wattage: 179 - 208W
- Efficacy: up to 146 LpW
- AC Input: 120/208/240/277 V
- Driver: Constant current, Class 2, 120-277VAC 50/60Hz
- Operating Temperature -40°C to +50°C (-40°F to +122°F)
- Dimming: 0-10V

Lighting Specifications

- Total Lumens: 23,337 | 30,385
- Color Temperature: 4000K | 5000K
- Color Rendering Index: 80

Housing Specifications

- Die-cast aluminum housing
- Eye bolt mounting
- Color: Black
- UV stabilized power coated finish
- Lifespan: 50,000 hours

Lens Specifications

- Clear glass lens

Listings

- UL/cUL standards for wet location
- IP65
- DLC qualified luminaire, eligible for rebates from DLC member utilities.

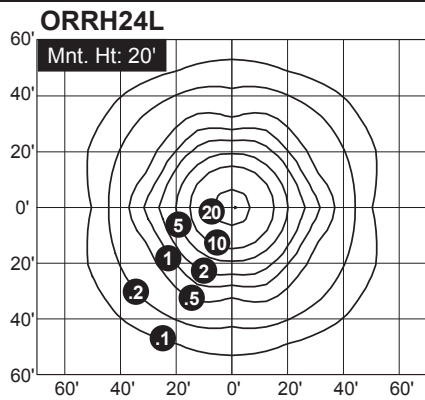
Model	DLC Prod. ID	Model	DLC Prod. ID
ORRH24L4K	PGDA5Y8Y	ORRH24L5K	PYTV6I80
ORRH30L4K	PX5YWZ09	ORRH30L5K	P9T5E722

Warranty

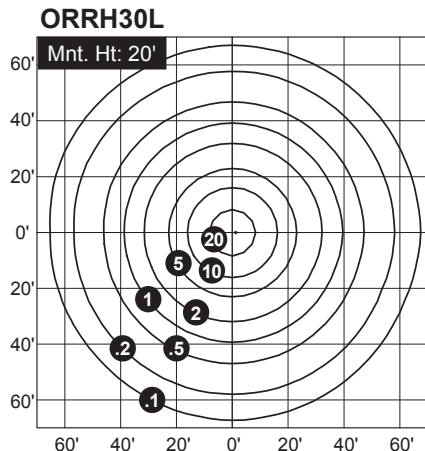
- 5-Year limited warranty

Model	Watts	Lumens	Volts	Color Temp.
ORRH24L4K	179	23,337	120-277	4000K
ORRH24L5K	179	22,383	120-277	5000K
ORRH30L4K	208	30,385	120-277	4000K
ORRH30L5K	208	30,295	120-277	5000K

Photometrics



Light Loss Factor	1.00
Total Lamp Lumens	23,337
Mounting Height	20'
Max. Calculated Value	19.33Fc



Light Loss Factor	1.00
Total Lamp Lumens	30,385
Mounting Height	20'
Max. Calculated Value	24.01Fc



origin

BY ATLAS
LIGHTING

PROJECT INFORMATION

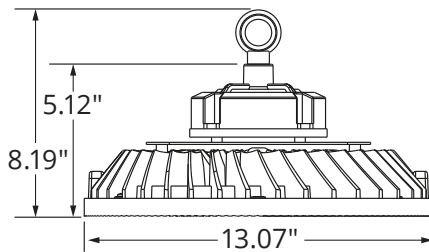
MODEL #:

UPC #:

Round High Bay

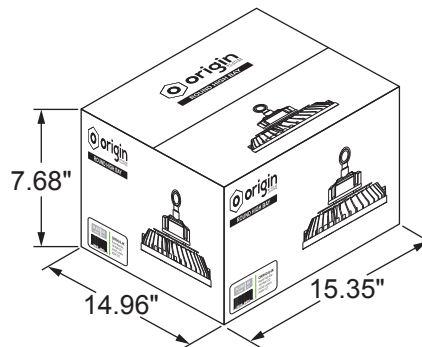
Dimensions

Product Dimensions



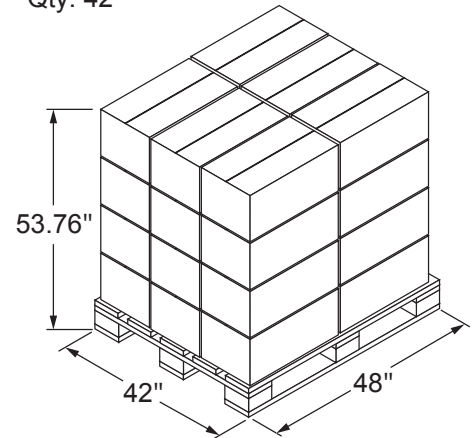
Carton Dimensions

Weight: 11.96 lbs.



Pallet Dimensions

Qty: 42



Installation

Step 1: Eye Bolt Suspension

1. Install the enclosed eye bolt hook into the top of the luminaire housing, and tighten securely. Tighten the lock-nut to prevent the eyebolt from loosening.
2. Suspend fixture with chain or cable securely attached to fixture eye bolt. • Unpack fixture and ensure that there are no damaged parts.

Step 2: Wiring

1. Turn off electrical supply at the breaker.
2. Pull building supply leads into the housing through the access plate.
3. Follow all local electrical codes for wiring and grounding requirements.
4. Grip black supply wire firmly and push into connector port marked with black circle (opposite black driver wire).
5. Grip white supply wire firmly and push into the remaining port.
6. Use only conductor per port and assure that no copper is exposed on any of the wires inserted.
7. Turn on electrical supply at the breaker.

