

LED Lighting Fixture

SAVE THESE INSTRUCTIONS



BEFORE YOU BEGIN

Read and follow all safety instructions

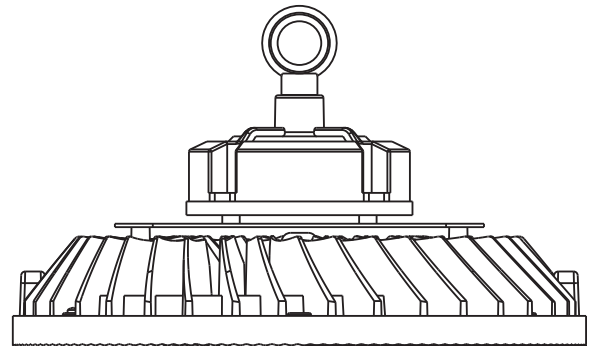
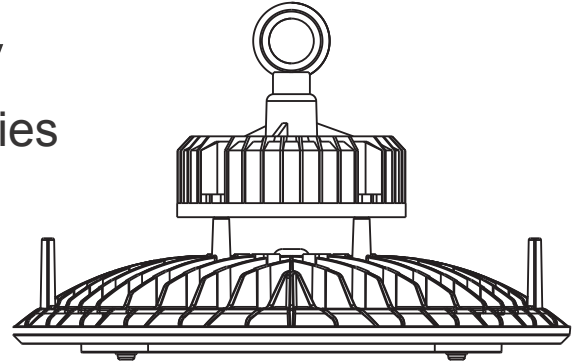
WARNING

RISK OF FIRE, EXPLOSION AND ELECTRIC SHOCK

- This product should be installed, inspected, and maintained by a qualified electrician only, in accordance with the NEC (National Electric Code) and all local codes.
- Turn off electrical power before inspection, installation or removal.
- Use only UL (or other NRTL) approved wire for input/output connections.
- Make sure LEDs and drivers are cool to touch when performing maintenance.
- Make sure the supply voltage is the same as the rated voltage of the luminaire.
- Do not install in a hazardous atmosphere, except where the ambient temperature does not exceed the rated operating temperature of the fixture.
- Keep tightly closed when in operation



LED Round High Bay ORRH18 / ORRH24L / ORRH30L Series



Step 1: Eye Bolt Suspension

1. Install the enclosed eye bolt hook into the top of the luminaire housing, and tighten securely. Tighten the lock-nut to prevent the eyebolt from loosening.
2. Suspend fixture with chain or cable securely attached to fixture eye bolt.

Step 2: Wiring

1. Turn off electrical supply at the breaker.
2. Pull building supply leads into the housing through the access plate.
3. Follow all local electrical codes for wiring and grounding requirements.
4. Grip black supply wire firmly and push into connector port marked with black circle (opposite black driver wire).
5. Grip white supply wire firmly and push into the remaining port.
6. Use only conductor per port and assure that no copper is exposed on any of the wires inserted.
7. Turn on electrical supply at the breaker.

