



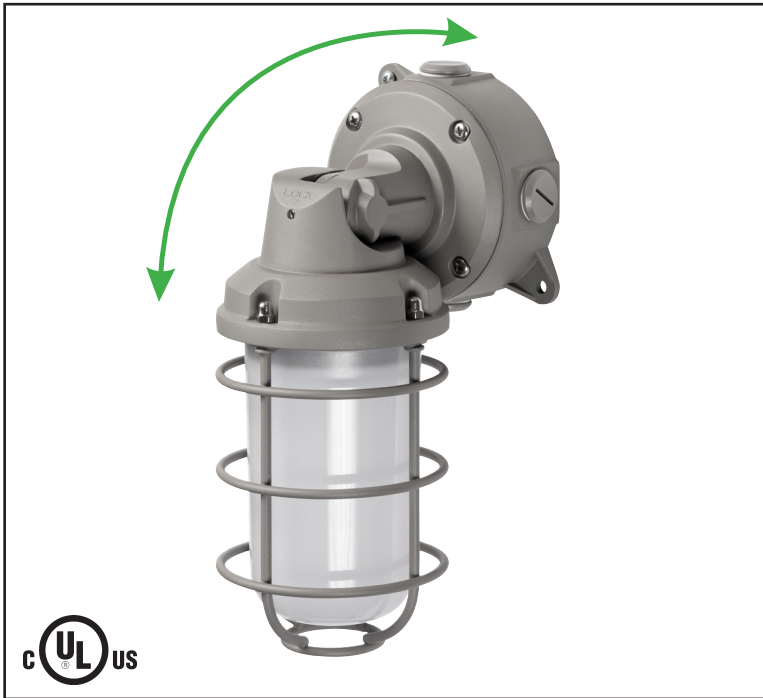
origin
BY ATLAS
LIGHTING

PROJECT INFORMATION

MODEL #: _____

UPC #: _____

Vapor Proof



Specifications

Electrical Specifications

- Input Wattage: 20W
- Efficacy: 100 LpW
- AC Input: 100/208/240/277 V
- Driver: Constant current, Class 2, 100-277VAC 50/60Hz
- Operating temperature: -40°C – 45°C / -40°F – 113°F

Lighting Specifications

- Total Lumens: 2,000
- Color Temperature: 3000K, 4000K
- Color Rendering Index: 80

Housing Specifications

- Metal die cast housing
- 90-180°adjustable
- Designed for wire pipe through
- Color: Gray
- Lifespan: 50,000 hours

Lens Specifications

- Polycarbonate frosted lens

Listings

- UL/cUL standards for wet locations
- IP65

Warranty

- 5-Year limited warranty

Model	Watts	Lumens	Volts	Color Temp.
ORVP2L3K	20W	2,000	100-277	3000K
ORVP2L4K	20W	2,000	100-277	4000K



origin

BY ATLAS
LIGHTING

PROJECT INFORMATION

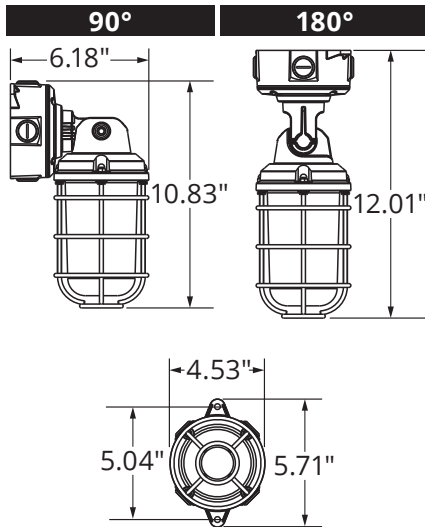
MODEL #:

UPC #:

Vapor Proof

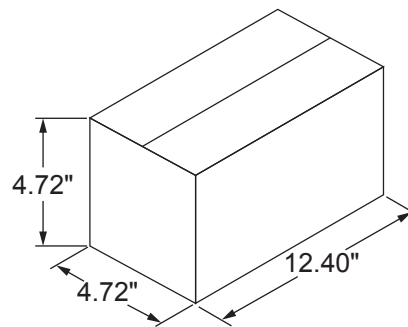
Dimensions

Product Dimensions



Carton Dimensions

Weight: 2.65 lbs.



Pallet Dimensions

Qty: ?

