



Low Profile Parking Garage Light

PROJECT INFORMATION

JOB NAME	
FIXTURE TYPE	Low Profile Parking Garage Light
CATALOG NUMBER	
APPROVED BY	

SPECIFICATIONS

Construction:

Designed for commercial and industrial applications, providing cooler operating temperatures, brighter light and longer LED life. Apertures for continuous wiring. Housing is hinged for quick and easy mounting and entrance.

Zero Glare:

Using the latest high brightness, high LED count technology, more usable light output is produced while eliminating glare. The high transmission lens, with 91% efficiency, is high impact, scratch resistant and protects the LEDs. At the same time, it delivers improved visual comfort by eliminating any glare and providing a wider smoother and more uniform light output.

Thermal Management:

The Atlas Low Profile Parking Garage Light is designed as a complete system to optimize LED life and light output. The Patent Pending thermal stacking heat removal technology extracts heat from within the housing moving it away from LEDs and components. The lower temperatures result in long LED life (200,000+ hrs¹) and component life and also allows for higher light output.

Listings:

Luminaire is certified to UL/cUL Standards for Wet Locations IDA Listed (3000K or warmer CCTs only)

DesignLights Consortium qualified luminaire, eligible for rebates from DLC member utilities. See chart on other next page for qualifying products.

AC Input: 120/208/240/277V

Driver:

Constant current, Class 2, 120-277 VAC, 47-63Hz
High Efficiency – min. 85%
Off-State Power: 0 Watts
0-10 V Dimming

LEDs:

3000K | 4000K | 4500K | 5000K CCT
Epoxy Guard™ protective conformal coated boards

Temperatures:

Min Start: -35°C Max: 50°C

Testing:

Atlas LED luminaires have been tested by an independent laboratory in accordance with IESNA LM-79 & LM-80.

Warranty: Five-year limited warranty

480 Volt: For 480V add suffix 4 to part number.

Emergency Battery Back Up: For factory installed Emergency Back-Up add suffix EB to part number. Provides emergency illumination (1,580 lumens) for a minimum of 90 minutes. (Requires larger back housing.)



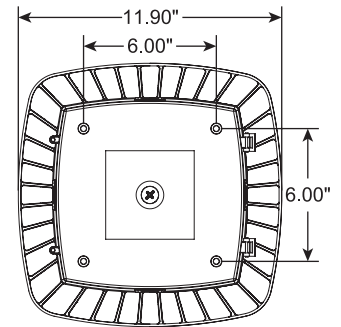
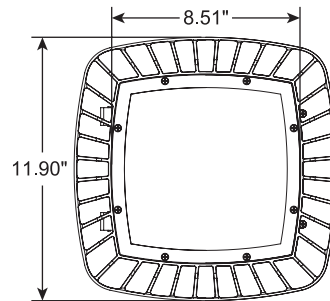
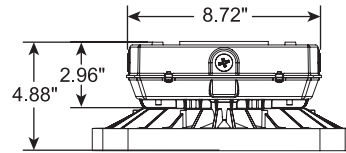
BUY AMERICAN



COMPLIANT*

DIMENSIONS

Weight: 10.0 lbs.



¹LED Life Span Based Upon LM-70 Test Results

Rebates and Incentives are available in many areas.
Contact an Atlas Representative for more information.

*The majority of Atlas Lighting Products are assembled in USA facilities by an American Workforce utilizing both Domestic and Foreign components. Meets Buy American requirements within the ARRA.



Low Profile Parking Garage Light



ORDERING INFORMATION

PGM	40LED					
PRODUCT SERIES	WATTAGE	COLOR TEMP.	CONTROLS	VOLTAGE	FIXTURE COLOR	OPTIONS
PGM = Low Profile Parking Garage Series	25LED = 25 System Watts 40LED = 40 System Watts 60LED = 60 System Watts 80LED = 80 System Watts	Blank = 4500K 3K = 3000K 4K = 4000K 5K = 5000K	Blank = Dimming (0-10V) PC = 120V Photocontrol PM = 208-277V Photocontrol IC = Integrated Control M = Motion	Blank = 120-277 4 = 480	Blank = Bronze WT = White* BK = Black* <i>*optional with adder</i>	SP = Surge Protection EB = Emergency Battery Back-Up

PERFORMANCE DATA

UNIT	CRI	3000K CCT		4000K CCT		4500K CCT		5000K CCT		WATTAGE	REPLACES UP TO
		DELIVERED LUMENS	EFFICACY (LPW)	DELIVERED LUMENS	EFFICACY (LPW)	DELIVERED LUMENS	EFFICACY (LPW)	DELIVERED LUMENS	EFFICACY (LPW)		
25W	83	3,387	138	3,387	138	3,387	138	3,524	144	25	100W MH
40W	83	5,528	134	5,528	134	5,528	134	5,717	138	42	175W MH
60W	83	7,693	130	7,693	130	7,693	130	7,898	131	60	250W MH
80W	83	9,830	124	9,830	124	9,830	124	10,030	124	81	400W MH

DLC PRODUCT INFORMATION

UNIT	3000K CCT		4000K CCT		4500K CCT		5000K CCT	
	DLC PRODUCT ID	CLASSIFICATION	DLC PRODUCT ID	CLASSIFICATION	DLC PRODUCT ID	CLASSIFICATION	DLC PRODUCT ID	CLASSIFICATION
CPM25LED	PQSG6E0	Standard	PJ6YE2LA	Standard	PQTVIS3T	Standard	PXZE7PY0	Standard
CPM40LED	PGGIHGS9	Standard	PB6044IM	Standard	PVW7FXDK	Standard	P73UIKG4	Standard
CPM60LED	PCXU9C1N	Standard	PC90JT66	Standard	PBKPJ5AK	Standard	PQ55WBG3	Standard
CPM80LED	PZ8HJH39	Standard	PX0RX4OS	Standard	PB0SK3UH	Standard	PPUTDTEU	Standard