



# Round Straight Steel Pole

RSS

## PROJECT INFORMATION

JOB NAME	
FIXTURE TYPE	Round Straight Steel Pole
CATALOG NUMBER	
APPROVED BY	

## SPECIFICATIONS

### Pole Shaft:

Steel round poles are 4" or 5" in diameter. Pole shaft is electro-welded ASTM-A500 Grade C steel tubing with a minimum yield strength of 46,000 psi. On Tenon Mount steel poles, tenon is high strength pipe. Tenon N option is 2-3/8" O.D. x 4-3/4" tall.

### Hand-Hole:

Standard hand-hole location is 12" above pole base. Poles 18' and above have a 3" x 6" reinforced hand-hole. Shorter poles have 2" x 4" non reinforced hand-hole.

### Ground Lug:

Ground lug is standard.

### Duplex Receptacle:

Weatherproof duplex receptacle is optional.

### Anchor Bolts:

Poles are furnished with anchor bolts featuring zinc-plated double nuts and washers. Galvanized anchor bolts are optional. Anchor bolts conform to ASTM F 1554-07a Grade 55 with a minimum yield strength of 55,000 psi.

### Base:

Pole base is ASTM-A36 hot-rolled steel plate with a minimum yield strength of 36,000 psi. Two-piece square base cover is optional. Decorative base cover is also available.

### Ground Fault Circuit Interrupter:

Self-testing ground fault circuit interrupter is optional

### Finishes:

Every pole is provided with the DuraFinish Protection System and a 5-year limited warranty.

### Pole Vibration Damper:

A pole vibration damper is recommended in open terrain areas of the country where low steady state winds are common. Non-tapered poles and lightly loaded poles are more susceptible to destructive vibration if a damper is not installed.

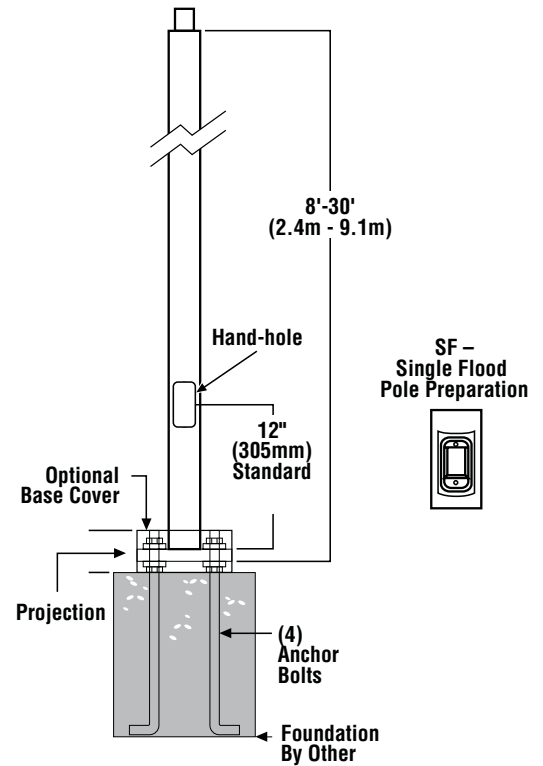
### Listings:

UL Listed  
BAA/TAA Compliant

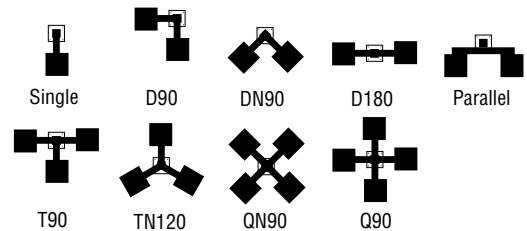


## DIMENSIONS

N = 2.375" O.D. x 4.75" Tenon



## FIXTURE CONFIGURATIONS



### Atlas Lighting Products, Inc.

PO Box 2348 | Burlington, NC 27216  
800-849-8485 | fax: 1-855-847-2794 | www.atlasled.com

The majority of Atlas Lighting Products are assembled in USA facilities by an American Workforce utilizing both Domestic and Foreign components. Meets Buy American requirements within the ARRA.



# Round Straight Steel Pole

RSS

## ORDERING INFORMATION

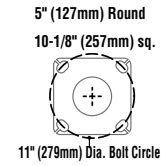
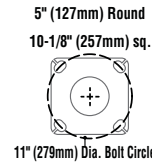
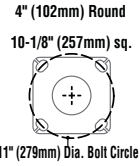
R	S	S	20	5	11	T		BZ		
SHAPE	SHAFT	STRUCTURE	HEIGHT (FT)*	DIAMETER/ WIDTH (IN)*	GAUGE	TENON DETAIL	BASE DETAIL	COLOR	DROP SHIP	DRILL PATTERN
R = Round	S = Straight	S = Steel	10 = 10 ft 12 = 12 ft 15 = 15 ft 18 = 18 ft 20 = 20 ft 22 = 22 ft 24 = 24 ft 25 = 25 ft 26 = 26 ft 30 = 30 ft <i>*Other sizes available</i>	4 = 4 in 5 = 5 in <i>*Other sizes available</i>	10 = 10 Ga 11 = 11 Ga 07 = 7 Ga	T = Welded Blank = None	Blank = Anchor E = Embedded	BZ = Bronze WT = White SL = Anodized Silver BK = Black	DSL B = Drop Ship (Bolts ship separately)	1 = 1 2 = 2 @ 90 3 = 2 @ 180 4 = 3 @ 90 5 = 4 @ 90 6 = Drop Mount

## ORDERING INFORMATION

NOMINAL MOUNTING HEIGHT (FT)	CATALOG NUMBER	SHAFT		BOLT CIRCLE			MAXIMUM LOADING								
		BASE O.D. (IN)	WALL THK (GA)	DESIG.	DIA (IN)	ANCH. BOLT DIA (IN)	110 MPH	115 MPH	120 MPH	130 MPH	140 MPH	150 MPH	160 MPH	170 MPH	180 MPH
							EPA (FT <sup>2</sup> )	EPA (FT <sup>2</sup> )	EPA (FT <sup>2</sup> )	EPA (FT <sup>2</sup> )	EPA (FT <sup>2</sup> )	EPA (FT <sup>2</sup> )	EPA (FT <sup>2</sup> )	EPA (FT <sup>2</sup> )	EPA (FT <sup>2</sup> )
10	RSS10410BZDSL B	4	10	L	11	0.75	11.0	10.0	9.0	7.6	6.5	5.6	4.9	4.2	3.7
12	RSS12410BZDSL B	4	10	L	11	0.75	8.2	7.3	6.5	5.5	4.6	3.9	3.4	2.9	2.6
15	RSS15410BZDSL B	4	10	L	11	0.75	5.1	4.5	4.0	3.2	2.7	2.2	1.9	1.6	1.3
18	RSS18410BZDSL B	4	10	L	11	0.75	7.7	6.8	6.0	5.0	4.2	3.5	3.0	2.5	2.2
20	RSS20410BZDSL B	4	10	L	11	0.75	6.0	5.2	4.6	3.7	3.1	2.5	2.1	1.8	1.5
22	RSS22410BZDSL B	4	10	L	11	0.75	4.6	3.9	3.3	2.6	2.1	1.7	1.4	1.1	0.9
24	RSS24410BZDSL B	4	10	L	11	0.75	3.4	2.7	2.2	1.7	1.3	1.0	0.7	0.5	n/a
10	RSS10511BZDSL B	5	11	L	11	0.75	19.0	17.3	15.8	13.4	11.4	9.9	8.7	7.6	6.8
12	RSS12511BZDSL B	5	11	L	11	0.75	14.3	13.0	11.9	10.1	8.7	7.4	6.5	5.6	5.0
15	RSS15511BZDSL B	5	11	L	11	0.75	9.9	8.9	8.1	6.8	5.8	5.0	4.3	3.7	3.3
18	RSS18511BZDSL B	5	11	L	11	0.75	12.2	11.1	10.1	8.5	7.2	6.1	5.3	4.6	4.0
20	RSS20511BZDSL B	5	11	L	11	0.75	10.0	9.1	8.2	6.8	5.7	4.9	4.2	3.6	3.1
22	RSS22511BZDSL B	5	11	L	11	0.75	8.1	7.3	6.6	5.5	4.5	3.8	3.2	2.8	2.4
25	RSS25511BZDSL B	5	11	L	11	0.75	5.9	5.2	4.5	3.8	3.1	2.5	2.1	1.7	1.4
26	RSS26511BZDSL B	5	11	L	11	0.75	5.2	4.6	4.1	3.2	2.6	2.1	1.7	1.4	1.1
30	RSS30507BZDSL B	5	7	M	11	1.00	6.8	6.1	5.4	4.4	3.6	2.9	2.4	2.0	1.7

Actual performance data can vary depending on operating conditions. Specifications are subject to change without notice.

## BOLT CIRCLE

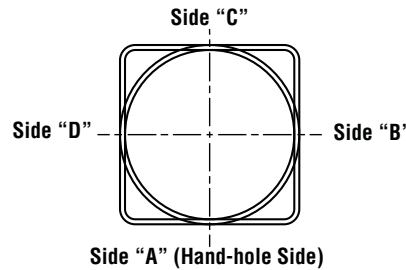


Bolt Circle Designator	L	L	M
Bolt Circle	Slotted 11" (279mm)	Slotted 11" (279mm)	Slotted 11" (279mm)
Anchor Bolt Size	3/4" x 30" (19mm x 762mm)	3/4" x 30" (19mm x 762mm)	1" x 36" (25mm x 914mm)
Anchor Bolt Projection	3-1/4" (83mm)	3-1/4" (83mm)	4" (102mm)
Base Plate Opening for Wireway Entry	3-5/8" (92mm)	4-3/4" (121mm)	4-5/8" (117mm)
Base Plate Dimensions	10-1/8" sq. x 3/4" thk. (257mm x 19mm)	10-1/8" sq. x 3/4" thk. (257mm x 19mm)	10-1/8" sq. x 1" thk. (257mm x 25mm)
Pole Gauge	10	11	7

Note: Base plate illustrations may change without notice. Do not use for setting anchor bolts. Consult factory for the appropriate anchor bolt template.

## DRILLING LOCATIONS

Sides	A	B	C	D
Hand-hole	X			
Single	X			
D180		X		X
D90	X			X
DN90 <sup>1</sup>				
T90	X	X		X
TN120 <sup>2</sup>				
Q90	X	X	X	X
QN90 <sup>3</sup>				
Single FBO	X			
Double FBO		X		X



### NOTES:

- Two locations will be 45° to the left and right of Side A.
- Other two locations will be 120° to the left and right of Side A.
- Two locations will be 45° to the left and right of Side A and two locations will be 135° to the left and right of Side A.

Consult factory for custom variations. Standard SF and DF pole preparations are located 3/4 of the height of the pole from the base, except on 20' poles. Maximum height for SF and DF pole preparations on 20' poles is 13' from the base.

Actual performance data can vary depending on operating conditions. Specifications are subject to change without notice.