



## 4" Square Box Cover

### PROJECT INFORMATION

JOB NAME	
FIXTURE TYPE	4" Square Box Cover
CATALOG NUMBER	SM4
APPROVED BY	

### SPECIFICATIONS

#### Construction:

- Steel
- Permit 20° swing from vertical

#### Mounting:

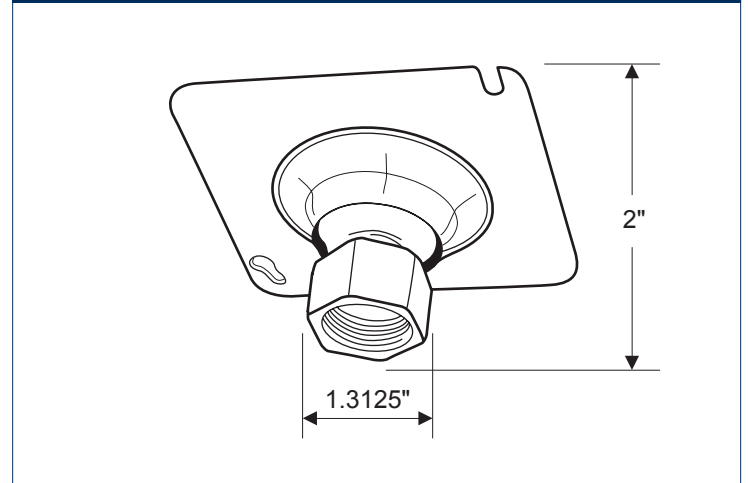
- For 4" square boxes

#### Specifications:

- Cover Size: 4" (42.87 cm)
- Pipe Size: 1/2" & 3/4" (1.27 & 1.905 cm)
- Length: 1.75" & 2.00" (4.5 & 5.1 cm)
- Load Rated: 50 lbs / 22.5 kg.



### DIMENSIONS



### ORDERING INFORMATION

CATALOG #	DESCRIPTION	STD. PKG.
SM4	4" Square Box Cover 3/4" Conduit w/ 1/2" Reducer	25