



CATALOG NUMBER: SPT-LZR

JOB NAME:

CUSTOMER NAME:

NOTES:

TYPE:

DATE:

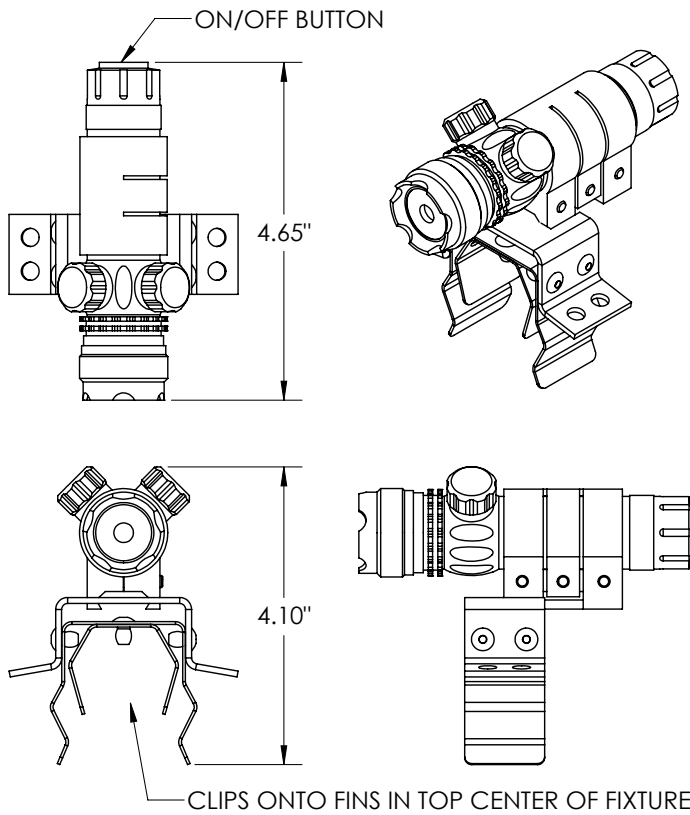
**FEATURES AND SPECIFICATIONS**

**SPORTS LIGHTING  
ACCESSORIES  
Laser Sight**

**Construction:  
Aluminum**



**DIMENSIONS**



**ORDERING INFORMATION**

Catalog #	Description	Finish	Std. Pkg.
SPT-LZR	Laser Sight	Black	1

Actual performance can vary depending on operating conditions. Specifications are subject to change without notice.

**ATLAS LIGHTING PRODUCTS, INC.**

PO BOX 2348 | BURLINGTON, NC 27216  
800-849-8485 | FAX: 1-855-847-2794 | www.atlasled.com