



LED Emergency Driver for Back Panels & Troffer

PROJECT INFORMATION

JOB NAME	
FIXTURE TYPE	LED Emergency Driver
CATALOG NUMBER	TLP-EBKT
APPROVED BY	

SPECIFICATIONS

Product Description:

- Suit for 8W to 200W lamp with external LED driver.
- Used with LiFePO4 battery.
- 15-50VDC, 50-180V output.
- LED emergency converter that can transfer standard LED fitting into emergency LED fitting.
- Accessory test switch and charge indicator

Applications:

- UL Listed for dry/damp locations.
- For use on a wide range of LED fittings to convert them from standard to emergency fitting.
- Additional relay that can control standard LED driver.
- Deep discharge protection.
- Ambient range ta 10....60°C.
- IP20 protection.
- Not intended for use in luminaires for high-risk task area lighting

Protections:

- Input over current protection.
- Output over voltage protection.
- Output under current protection.
- Output short circuit protection.

Test Switch:

- Emergency conversion kit will go into emergency mode if test switch is pressed when main supply is on, while it will go into charging mode if test switch is not pressed.
- In emergency mode, press the test switch for 3 seconds to turn off the current emergency state.

LED Indicator:

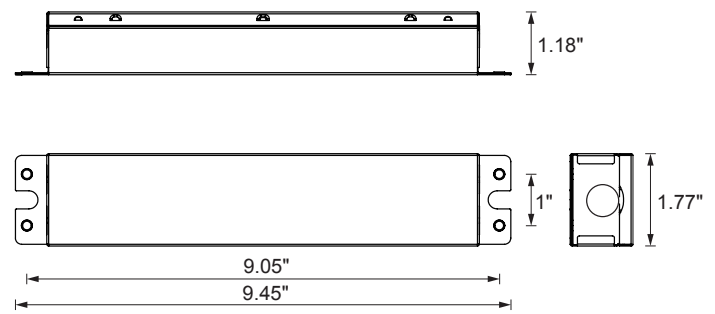
- Red stable: charging mode or charging full
- Red off: main power off or discharging mode

Warranty:

- Five-year limited warranty



DIMENSIONS



TECHNICAL DATA

ITEM	DATA
Rated input voltage	100-347V, 100-277VAC, 50/60Hz
Input current	80mA max
Input power	5W max
Power factor	0.7 @100VAC, 0.6@347VAC
Output wire L-out N-out (LED load input)	AC 3A Max
Output voltage range	DC15-50V, 55V max; DC50-180V, 220V max
Output voltage (emergency mode)	8W, constant power
Battery pack voltage/capacity	LiFePO4 6.4 3200mAh, 21.48Wh
Recharge current	0-220mA
Recharge time	24 hours
Discharge time	90 minutes
Max. casing temperature tc	70°C
Ambient operating temperature ta	10-50°C
Design life	50000 hours
RFI/EMI	FCC

ORDERING INFORMATION

CATALOG #	DESCRIPTION
TLP-EBKT	LED Emergency Driver for Back Panels and Troffers