



**Origin Series**  
Selectable Low Profile Center  
Basket Troffer

**PROJECT INFORMATION**

JOB NAME	
FIXTURE TYPE	Low Profile Center Basket Troffer
CATALOG NUMBER	
APPROVED BY	

**SPECIFICATIONS**

**Construction:**

Heavy duty construction made of cold rolled steel.

**Optics:**

Frosted PMMA lens diffuses light.

Available in Field Adjustable 3500K, 4000K, and 5000K color temperatures.

Color rendering index > 80

120° beam angle

**Electrical:**

Universal 120-277 AC voltage (50-60Hz)

0-10 V Dimming

Total harmonic distortion < 20%

Power factor: > 90%

Suitable for ambient temperatures from -20° to 50°C (-4°F to 122°F)

**LEDs:**

Long-life LEDs provide 50,000 hours of operation with at least 70% of initial output (L70).

**Installation:**

Easy installation in new construction or retrofit. For surface-mount and suspension-mount applications, accessories are to be ordered separately. *See Accessories section.*

**Listings:**

Luminaire is certified to UL/cUL Standards for Damp Locations. DesignLights Consortium qualified luminaire, eligible for rebates from DLC member utilities. *See chart on next page for qualifying products.*

**Testing:**

Atlas LED luminaires have been tested by an independent laboratory in accordance with IESNA LM-79 & LM-80.

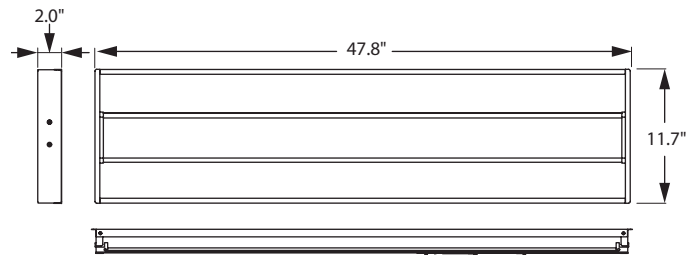
**Warranty:**

Five-year limited warranty

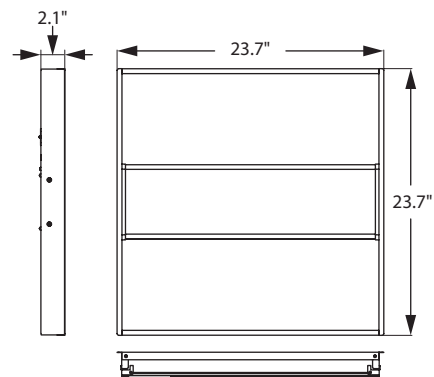


**DIMENSIONS**

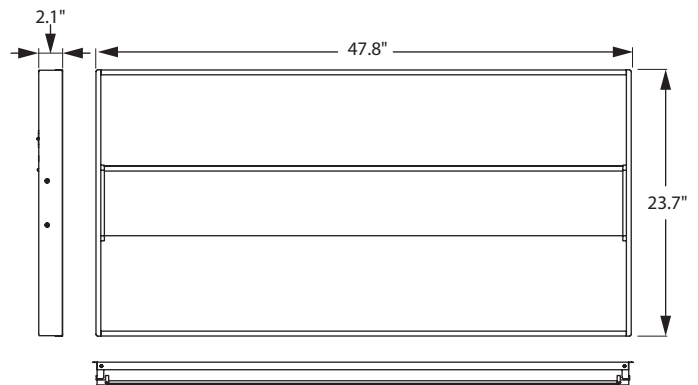
**1x4 - Weight: 7.72lbs.**



**2x2 - Weight: 6.83 lbs.**



**2x4 - Weight: 11.44 lbs.**



Rebates and Incentives are available in many areas.  
Contact an Atlas Representative for more information.



**Origin Series**  
 Selectable Low Profile Center  
 Basket Troffer

**ORDERING INFORMATION**

TLP	24	S	4-6L	
PRODUCT SERIES	SIZE	SELECTABLE	LUMENS	OPTIONS
TLP = Low Profile Center Basket Troffer	14 = 1'x4' 22 = 2'x2' 24 = 2'x4'	S = Selectable	2-4L = 2,000 - 4,000 Lumens Selectable <sup>1,2</sup> 4-6L = 4,000 - 6,000 Lumens Selectable <sup>3</sup> <i><sup>1</sup> = 1x4 only</i> <i><sup>2</sup> = 2x2 only</i> <i><sup>3</sup> = 2x4 only</i>	EB = Emergency Battery Back-up

**PERFORMANCE DATA**

UNIT	FIXTURE LENGTH	CRI	3500K CCT		4000K CCT		5000K CCT		WATTAGE	REPLACES UP TO
			DELIVERED LUMENS	EFFICACY (LPW)	DELIVERED LUMENS	EFFICACY (LPW)	DELIVERED LUMENS	EFFICACY (LPW)		
TLP14S2-4L	1'x4'	>80	2,609	130	2,715	137	2,591	129	20	(3) F24-T5
			3,262	130	3,433	137	3,239	129	25	
			3,838	125	3,993	136	3,811	124	30	
TLP22S2-4L	2'x2'	>80	3,804	135	3,933	143	3,891	137	30	(3) F24-T5
			4,378	133	4,531	140	4,472	135	35	
			4,853	122	4,998	127	4,982	125	40	
TLP24S4-6L	2'x4'	>80	4,188	140	4,315	148	4,259	143	32	(4) F32-T8
			5,586	133	5,675	143	5,400	135	42	
			6,428	127	6,760	137	6,490	128	52	

**DLC PRODUCT INFORMATION**

UNIT	3500K   4000K   5000K CCT (ADJUSTABLE)	
	DLC PRODUCT ID	CLASSIFICATION
TLP14S2-4L	S-U2CQGM	Premium
TLP22S2-4L	S-V3526W	Premium
TLP24S4-6L	S-S357DL	Premium

**ACCESSORIES**

CATALOG #	DESCRIPTION
SMKFA1x4	Frame Kits for 1x4 Surface Mount Troffers/Panels White color finished
SMKFA2x2	Frame Kits for 2x2 Surface Mount Troffers/Panels White color finished
SMKFA2x4	Frame Kits for 2x4 Surface Mount Troffers/Panels White color finished
TLP-EBKT	Emergency Battery Back-up for Troffers