



Independence Series Large Wall Light



PROJECT INFORMATION

JOB NAME	
FIXTURE TYPE	Independence Large Wall Light
CATALOG NUMBER	
APPROVED BY	

SPECIFICATIONS

Construction:

Rugged traditional aluminum die cast housing provides proven environmental protection for LED modules. Traditional fixture designs provide a familiar look and standard installation requirements. Retaining this look allows the ability to upgrade fixtures gradually, while retaining the same overall fixture appearance throughout a facility.

Glare Reduction Lens:

Positioning of the LED modules combined with the unique design of the lens assembly results in light being directed to desired locations and reduces offensive light.

Lens assembly is designed to provide high efficiency and to target the light where needed to satisfy outdoor lighting requirements.

Thermal Management:

Atlas' Patent Pending exclusive Thermal Management System™ features a unique internal design that allows for lower operating temperatures which results in a brighter, whiter light, more stable color and longer LED and driver life.

Listings:

Luminaire is certified to UL/cUL Standards for Wet Locations DesignLights Consortium qualified luminaire, eligible for rebates from DLC member utilities. ²See chart on other next page for qualifying products.

AC Input: 120/208/240/277V 347/480V

Driver:

Constant current, Class 2, 120-277 VAC, 50-60 Hz
High Efficiency – min. 84%
Dimming: 0-10V

LEDs:

Available in 3000K, 4000K, 4500K and 5000K CCT
Epoxy Guard™ protective conformal coated boards
Atlas LEDs provide higher lumen output, greater energy efficiency and more reliable fixture performance.

Reduced Glare:

Positioning of the LED modules within the housing result in light directed to desired locations and reduces offensive light.

Testing:

Atlas LED luminaires have been tested by an independent laboratory in accordance with IESNA LM-79 & LM-80.

Warranty: Five-year limited warranty

Installation:

Fixture retains the same knock-out sizes and positions as previous models, reducing wiring costs.

Photo Control: For factory installed 120V button photo control add suffix PC to part number.

Emergency Back-up³: For factory installed Emergency Back-Up add suffix EB to part number.

¹LED Life Span Based Upon LM-70 Test Results

³Emergency Back-Up requires larger back housing. Contact Atlas for more details.

Atlas Lighting Products, Inc.

PO Box 2348 | Burlington, NC 27216
800-849-8485 | fax: 336-227-0110 | www.atlasled.com



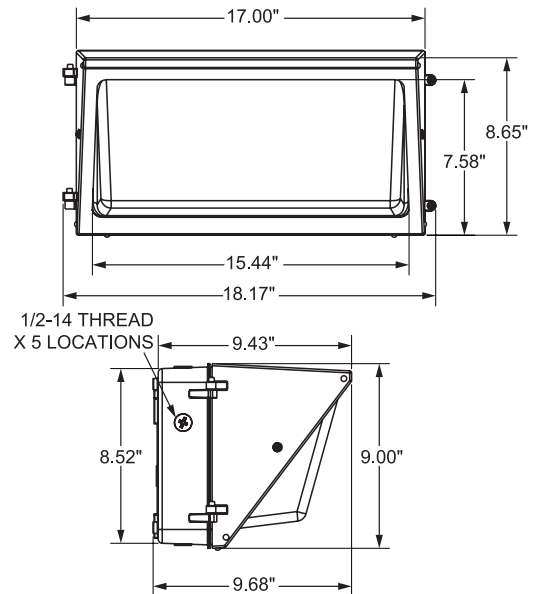
BUY AMERICAN



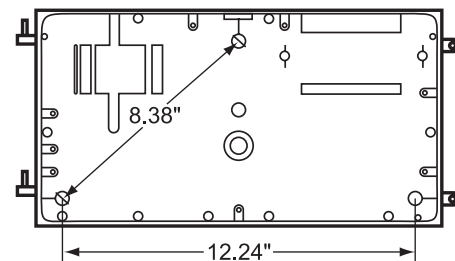
COMPLIANT*

DIMENSIONS

Weight: 15 lbs.



MOUNTING DETAIL



Rebates and Incentives are available in many areas.
Contact an Atlas Representative for more information.

*The majority of Atlas Lighting Products are assembled in USA facilities by an American Workforce utilizing both Domestic and Foreign components. Meets Buy American requirements within the ARRA.



Independence Series Large Wall Light



ORDERING INFORMATION

WD	7L	45K				
PRODUCT SERIES	LUMEN PACKAGE	COLOR TEMP.	CONTROLS	VOLTAGE	FIXTURE COLOR	OPTIONS
WD = Large Wall Light	7L = 7,000 Lumens 10L = 10,000 Lumens	3K = 3000K 4K = 4000K 45K = 4500K 5K = 5000K	Blank = Dimming (0-10V) PC = 120V Photocontrol PM = 120-277V Photocontrol BTM = Blue Tooth Microwave <i>includes photocontrol</i>	Blank = 120-277 4 = 480V	Blank = Bronze WT = White* BK = Black* <i>*optional with adder</i>	EB = Emergency Back-up SP = Surge Protection

PERFORMANCE DATA

LUMEN PACKAGE	CRI	3000K CCT		4000K CCT		4500K CCT		5000K CCT		WATTAGE	REPLACES UP TO
		DELIVERED LUMENS	EFFICACY (LPW)	DELIVERED LUMENS	EFFICACY (LPW)	DELIVERED LUMENS	EFFICACY (LPW)	DELIVERED LUMENS	EFFICACY (LPW)		
7L	80	6,046	114	6,933	124	6,933	124	6,933	124	56	400W MH
10L	80	9,958	122	9,958	122	9,958	122	9,958	122	82	400W MH

DLC PRODUCT INFORMATION

UNIT	3000K CCT		4000K CCT		4500K CCT		5000K CCT	
	DLC PRODUCT ID	CLASSIFICATION	DLC PRODUCT ID	CLASSIFICATION	DLC PRODUCT ID	CLASSIFICATION	DLC PRODUCT ID	CLASSIFICATION
WD7L	PZ6D1Q4X	Standard	n/a	n/a	P6TWICQQ	Standard	n/a	n/a
WD10L	P4OWN505	Standard	n/a	n/a	PB10WD4A	Standard	n/a	n/a