



**Witness Series**  
Classic Wall Light with  
Security Camera



**PROJECT INFORMATION**

JOB NAME	
FIXTURE TYPE	Wall Light with Security Camera
CATALOG NUMBER	
APPROVED BY	

**SPECIFICATIONS**

**Construction:**

Rugged traditional aluminum die cast housing provides proven environmental protection for LED modules. Traditional fixture designs provide a familiar look and standard installation requirements. Retaining this look allows the ability to upgrade fixtures gradually, while retaining the same overall fixture appearance throughout a facility.

**Integrated Security Camera:**

The Integrated HD Security Camera features a 1080p resolution that produces excellent image quality and clarity. The lens provides an extra wide field of view to maximize coverage and eliminate potential blind spots.

**Glare Free:**

Positioning of the LED modules within the housing result in light directed to desired locations and eliminates offensive light.

**Lens:**

Lens assembly is designed to provide high efficiency and to target the light where needed to satisfy outdoor lighting requirements. Positioning of the LEDs (along with Patent Pending thermal management system) results in the light being directed to desired locations eliminating glare and offensive light.

**Thermal Management:**

Atlas' Patent Pending exclusive Thermal Management System™ features a unique internal design that allows for lower operating temperatures which results in a brighter, whiter light, more stable color and longer LED and driver life.

**Listings:**

Luminaire is certified to UL/cUL Standards for Wet Locations DesignLights Consortium qualified luminaire, eligible for rebates from DLC member utilities. <sup>2</sup>See chart on other next page for qualifying products.

**AC Input:** 120/208/240/277V 347/480V

**Driver:**

Constant current, Class 2, 120-277 VAC, 50-60 Hz  
High Efficiency – min. 88%  
0-10 V Dimming

**LEDs:**

3000K | 4000K | 4500K | 5000K CCT  
Epoxy Guard™ protective conformal coated boards  
Atlas LEDs provide higher lumen output, greater energy efficiency and more reliable fixture performance.

**Testing:**

Atlas LED luminaires have been tested by an independent laboratory in accordance with IESNA LM-79 & LM-80.

**Installation:**

Fixture retains the same knock-out sizes and positions as previous models, reducing wiring costs.

**Photo Control:** For factory installed 120V button photo control add suffix PC to part number.



**SIMPLE AND INTUITIVE APP:**

The Atlas Security App makes it easy. Installation is simple, requiring no complicated networking setup – just connect to WiFi and you're ready to go. The app is easy to use, and there are no additional fees. Over 168 hours of footage is available at any time – that's 24 hours a day for an entire week.

**CAMERA SPECIFICATIONS:**

**Max Video Resolution**

1920(H) x 1080(V).

**Image Sensor**

2 megapixels

**Video Modes**

1080p (2Mpx) at 15 Images per Second

**Video Features**

H.264 Encoding, Auto Gain and Shutter, Back Light Compensation, Min Illumination .1 Lux

**Lens Field of View**

145° Horizontal.

**Sensor Size**

1/2.9 Inch

**Camera Power**

Provide by light fixture circuits

**Indoor/Outdoor**

Both - Outdoor UV and weather-resistant rated

**Networking**

802.11 b/g/n – Local Only

**Operating Temperature**

-20 to 60°C

**Connectivity**

Local Wi-Fi Connection. Via iPhone or Android

**Rebates and Incentives are available in many areas.  
Contact an Atlas Representative for more information.**

<sup>1</sup>LED Life Span Based Upon LM-70 Test Results

\*The majority of Atlas Lighting Products are assembled in USA facilities by an American Workforce utilizing both Domestic and Foreign components. Meets Buy American requirements within the ARRA.



**Witness Series**  
Classic Wall Light with  
Security Camera



**ORDERING INFORMATION**

WLM	43LED				-WIT
PRODUCT SERIES	WATTAGE	COLOR TEMP.	VOLTAGE	FIXTURE COLOR	OPTIONS
WLM = Medium Wall Light	43LED = 43 Watts	Blank = 4500K 3K = 3000K 4K = 4000K 5K = 5000K	Blank = 120-277 4 = 480V	Blank = Bronze WT = White* BK = Black* <i>*optional with adder</i>	EB = Emergency Back-up -WIT = Witness Integrated HD Security Camera

**PERFORMANCE DATA**

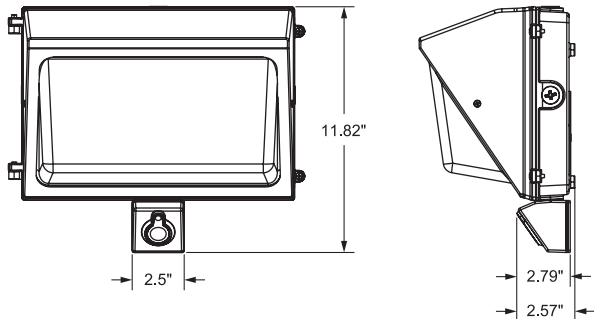
UNIT	CRI	3000K CCT		4000K CCT		4500K CCT		5000K CCT		WATTAGE	REPLACES UP TO
		DELIVERED LUMENS	EFFICACY (LPW)	DELIVERED LUMENS	EFFICACY (LPW)	DELIVERED LUMENS	EFFICACY (LPW)	DELIVERED LUMENS	EFFICACY (LPW)		
43LED	80	3,908	96	5,276	122	5,726	122	5,308	122	44	175W MH

**DLC PRODUCT INFORMATION**

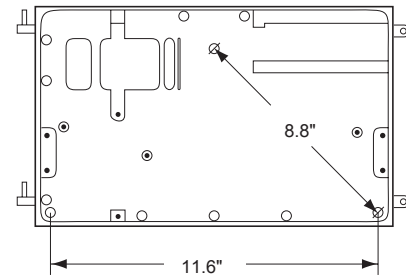
UNIT	3000K CCT		4000K CCT		4500K CCT		5000K CCT	
	DLC PRODUCT ID	CLASSIFICATION	DLC PRODUCT ID	CLASSIFICATION	DLC PRODUCT ID	CLASSIFICATION	DLC PRODUCT ID	CLASSIFICATION
WLM43LED-WIT	n/a	n/a	PT0VHUH7	Standard	PDG4N6GHG	Standard	P2LGOBS9	Standard

**DIMENSIONS**

Weight: 9.25 lbs.



**MOUNTING DETAIL**



**ADDITIONAL SPECIFICATIONS**

**Warranty:** Five-year limited warranty

**Emergency Back-up:** For factory installed Emergency Back-Up add suffix EB to part number.

**480 Volt:** For 480V add suffix 4 to part number.