



**Classic Series**  
Medium Wall Light

| PROJECT INFORMATION |                   |
|---------------------|-------------------|
| JOB NAME            |                   |
| FIXTURE TYPE        | Medium Wall Light |
| CATALOG NUMBER      |                   |
| APPROVED BY         |                   |

**SPECIFICATIONS**

**Construction:**

Rugged traditional aluminum die cast housing provides proven environmental protection for LED modules. Traditional fixture designs provide a familiar look and standard installation requirements. Retaining this look allows the ability to upgrade fixtures gradually, while retaining the same overall fixture appearance throughout a facility.

**Glare Free:**

Positioning of the LED modules within the housing result in light directed to desired locations and eliminates offensive light.

**Lens:**

Lens assembly is designed to provide high efficiency and to target the light where needed to satisfy outdoor lighting requirements.

Positioning of the LEDs (along with Patent Pending thermal management system) results in the light being directed to desired locations eliminating glare and offensive light.

**Thermal Management:**

Atlas' Patent Pending exclusive Thermal Management System™ features a unique internal design that allows for lower operating temperatures which results in a brighter, whiter light, more stable color and longer LED and driver life.

**Listings:**

Luminaire is certified to UL/cUL Standards for Wet Locations DesignLights Consortium qualified luminaire, eligible for rebates from DLC member utilities. <sup>2</sup>See chart on other next page for qualifying products.

**AC Input:** 120/208/240/277V 347/480V

**Lifespan:** 200,000+ hrs.<sup>1</sup>

**Driver:**

Constant current, Class 2, 120-277 VAC, 50-60 Hz  
High Efficiency – min. 88%  
0-10 V Dimming

**LEDs:**

3000K | 4000K | 4500K | 5000K CCT  
Epoxy Guard™ protective conformal coated boards  
Atlas LEDs provide higher lumen output, greater energy efficiency and more reliable fixture performance.

**Testing:**

Atlas LED luminaires have been tested by an independent laboratory in accordance with IESNA LM-79 & LM-80.

**Warranty:** Five-year limited warranty

**Installation:**

Fixture retains the same knock-out sizes and positions as previous models, reducing wiring costs.

**Photo Control:** For factory installed 120V button photo control add suffix PC to part number.

**Capital Control:** For factory installed Bluetooth Microwave Motion Control (including PC) add BTM to part number.

**Emergency Back-up:** For factory installed Emergency Back-Up add suffix EB to part number.

**480 Volt:** For 480V add suffix 4 to part number.

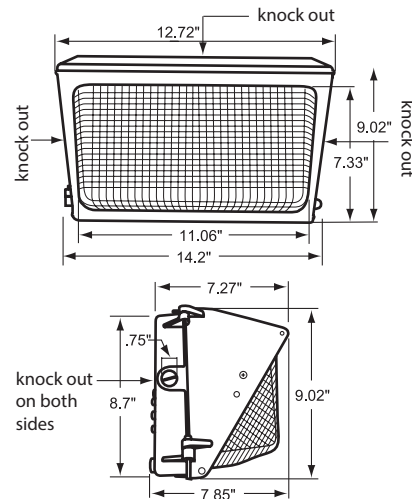
**Atlas Lighting Products, Inc.**

PO Box 2348 | Burlington, NC 27216  
800-849-8485 | fax: 1-855-847-2794 | www.atlasled.com

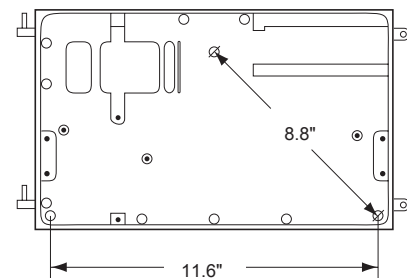


**DIMENSIONS**

**Weight:** 9.25 lbs.



**MOUNTING DETAIL**



<sup>1</sup>LED Lifespan Based Upon LM-70 Test Results

**Rebates and Incentives are available in many areas. Contact an Atlas Representative for more information.**

\*The majority of Atlas Lighting Products are assembled in USA facilities by an American Workforce utilizing both Domestic and Foreign components. Meets Buy American requirements within the ARRA.



**Classic Series**  
Medium Wall Light



**ORDERING INFORMATION**

| WLM                     | 43LED  | 45K   |   |                            |   |   |
|-------------------------|--|---|---|----------------------------|---|---|
| PRODUCT SERIES          | WATTAGE  | COLOR TEMP.   | CONTROLS  | VOLTAGE                    | FIXTURE COLOR   | OPTIONS   |
| WLM = Medium Wall Light | 43LED = 43 Watts<br>64LED = 64 Watts<br>80LED = 80 Watts | Blank = 4500K<br>3K = 3000K<br>4K = 4000K<br>5K = 5000K | Blank = Dimming (0-10V)<br>PC = 120V Photocontrol<br>PM = 120-277V Photocontrol | Blank = 120-277<br>4 = 480 | Blank = Bronze<br>WT = White*<br>BK = Black*<br><i>*optional with adder</i> | EB = Emergency Back-up<br>SP = Surge Protection |

**PERFORMANCE DATA**

| UNIT  | CRI | 3000K CCT        |                | 4000K CCT        |                | 4500K CCT        |                | 5000K CCT        |                | WATTAGE | REPLACES UP TO |
|-------|-----|------------------|----------------|------------------|----------------|------------------|----------------|------------------|----------------|---------|----------------|
|       |     | DELIVERED LUMENS | EFFICACY (LPW) | DELIVERED LUMENS | EFFICACY (LPW) | DELIVERED LUMENS | EFFICACY (LPW) | DELIVERED LUMENS | EFFICACY (LPW) |         |                |
| 43LED | 80  | 3,908            | 96             | 5,276            | 122            | 5,726            | 122            | 5,308            | 122            | 44      | 175W MH        |
| 64LED | 80  | 5,699            | 92             | 5,699            | 92             | 6,793            | 113            | 6,793            | 113            | 62      | 400W MH        |
| 80LED | 80  | 8,615            | 109            | 8,615            | 109            | 8,615            | 109            | 8,875            | 113            | 79      | 400W MH        |

**DLC PRODUCT INFORMATION**

| UNIT     | 3000K CCT      |                | 4000K CCT      |                | 4500K CCT      |                | 5000K CCT      |                |
|----------|----------------|----------------|----------------|----------------|----------------|----------------|----------------|----------------|
|          | DLC PRODUCT ID | CLASSIFICATION | DLC PRODUCT ID | CLASSIFICATION | DLC PRODUCT ID | CLASSIFICATION | DLC PRODUCT ID | CLASSIFICATION |
| WLM43LED | n/a            | n/a            | PT0VHUH7       | Standard       | PDG4N6GHG      | Standard       | P2LGOBS9       | Standard       |
| WLM64LED | n/a            | n/a            | n/a            | n/a            | n/a            | n/a            | n/a            | n/a            |
| WLM80LED | n/a            | n/a            | n/a            | n/a            | n/a            | n/a            | n/a            | n/a            |