



Classic Series Small Wall Light



PROJECT INFORMATION

JOB NAME	
FIXTURE TYPE	Small Wall Light
CATALOG NUMBER	
APPROVED BY	

SPECIFICATIONS

Construction:

Rugged Traditional aluminum die cast housing provides proven environmental protection for LED modules. Traditional fixture designs provide a familiar look and standard installation requirements. Retaining this look allows the ability to upgrade fixtures gradually, while retaining the same overall fixture appearance throughout a facility. The smooth housing prevents debris build up and maximizes airflow over housing.

Glare Free:

Positioning of the LED modules within the housing result in light directed to desired locations and eliminates offensive light.

Lens:

Lens assembly is designed to provide high efficiency and to target the light where needed to satisfy outdoor lighting requirements.

Positioning of the LEDs (along with Patent Pending thermal management system) results in the light being directed to desired locations eliminating glare and offensive light.

Thermal Management:

Atlas' Patent Pending exclusive Thermal Management System™ features a unique internal design that allows for lower operating temperatures which results in a brighter, whiter light, more stable color and longer LED (200,000+ hrs¹) and driver life.

Listings:

Luminaire is certified to UL/cUL Standards for Wet Locations

AC Input: 120/208/240/277V

Driver:

Constant current, Class 2, 120-277 VAC, 50-60 Hz
High Efficiency – min. 84%
Off-State Power: 0 Watts
Dimming: 0-10V

LEDs:

Available in 3000K, 4000K, 4500K and 5000K CCT
Epoxy Guard™ protective conformal coated boards
Atlas LEDs provide higher lumen output, greater energy efficiency and more reliable fixture performance.

Reduced Glare:

Positioning of the LED modules within the housing result in light directed to desired locations and reduces offensive light.

Testing:

Atlas LED luminaires have been tested by an independent laboratory in accordance with IESNA LM-79 & LM-80.

Warranty: Five-year limited warranty

Installation:

Fixture retains the same knock-out sizes and positions as previous models, reducing wiring costs.

Photo Control: For factory installed 120V button photo control add suffix PC to part number.



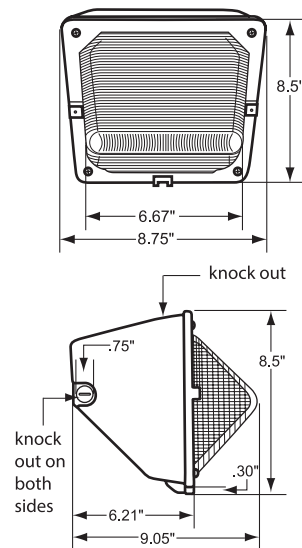
BUY AMERICAN



COMPLIANT*

DIMENSIONS

Weight: 6.6 lbs.



Rebates and Incentives are available in many areas.
Contact an Atlas Representative for more information.

¹LED Life Span Based Upon LM-70 Test Results

*The majority of Atlas Lighting Products are assembled in USA facilities by an American Workforce utilizing both Domestic and Foreign components. Meets Buy American requirements within the ARRA.



Classic Series
Small Wall Light



ORDERING INFORMATION

WLSG	27LED				
PRODUCT SERIES	WATTAGE	COLOR TEMP.	CONTROLS	VOLTAGE	FIXTURE COLOR
WLSG = Small Wall Light	27LED = 27 Watts	Blank = 4500K 3K = 3000K 4K = 4000K 5K = 5000K	Blank = Dimming (0-10V) PC = 120V Photocontrol PM = 120-277V Photocontrol	Blank = 120-277	Blank = Bronze WT = White* BK = Black* <i>*optional with adder</i>

PERFORMANCE DATA

UNIT	CRI	3000K CCT		4000K CCT		4500K CCT		5000K CCT		WATTAGE	REPLACES UP TO
		DELIVERED LUMENS	EFFICACY (LPW)	DELIVERED LUMENS	EFFICACY (LPW)	DELIVERED LUMENS	EFFICACY (LPW)	DELIVERED LUMENS	EFFICACY (LPW)		
27LED	83	2,749	105	2,749	105	3,017	113	3,017	113	27	100W MH