



WLM Face Frame Assembly



PROJECT INFORMATION

JOB NAME	
FIXTURE TYPE	WLM Face Frame Assembly
CATALOG NUMBER	210-007
APPROVED BY	

SPECIFICATIONS

Construction:

- Durable die cast aluminum construction
- Threaded apertures for conduit and photo control
- Borosilicate glass lens
- For use with Atlas WLM Series fixtures

Specifications:

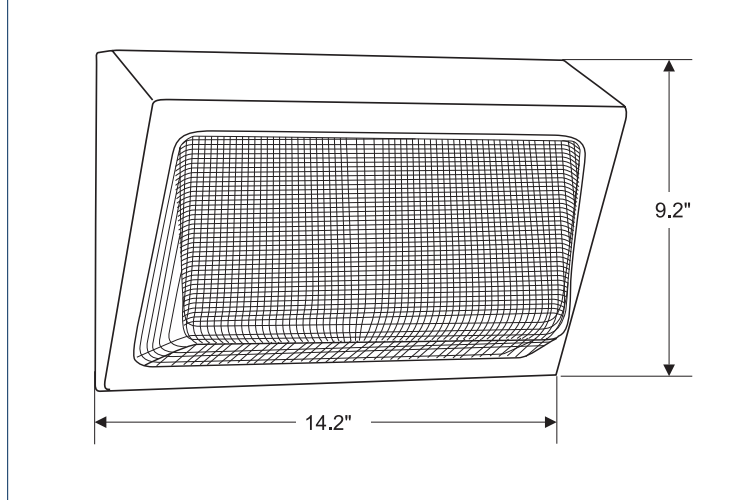
- Overall height: 9.02" (22.91 cm)
- Width: 14.2" (36.06 cm)

Warranty:

- Five-year limited warranty



DIMENSIONS



ORDERING INFORMATION

CATALOG #	DESCRIPTION	FINISH	STD. PKG.
210-007	WLM Face Frame Assembly	Bronze	1