



WLSG Face Frame Assembly

PROJECT INFORMATION

JOB NAME	
FIXTURE TYPE	WLSG Face Frame Assembly
CATALOG NUMBER	210-010
APPROVED BY	

SPECIFICATIONS

Construction:

- Durable die cast aluminum construction
- Threaded apertures for conduit and photo control
- Borosilicate glass lens
- For use with Atlas WLSG Series fixtures

Specifications:

- Overall height: 8.5" (21.59 cm)
- Width: 8.75" (22.225 cm).

Warranty:

- Five-year limited warranty

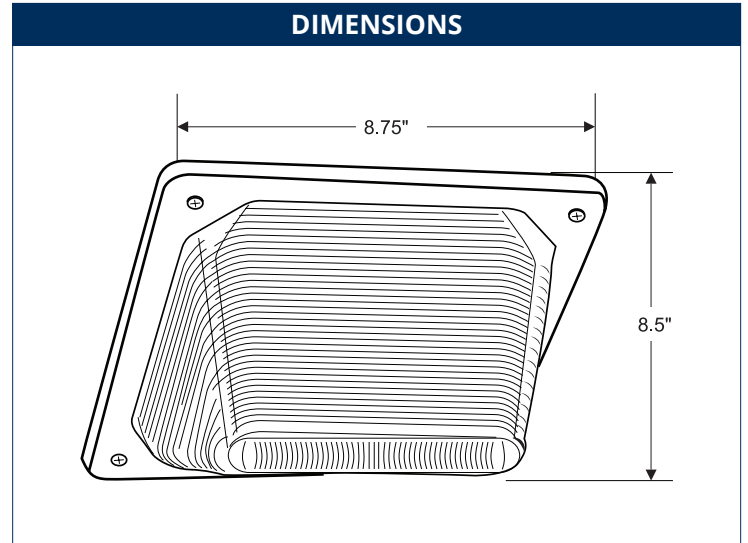


BUY AMERICAN



COMPLIANT*

DIMENSIONS



ORDERING INFORMATION

CATALOG #	DESCRIPTION	FINISH	STD. PKG.
210-010	WLSG Face Frame Assembly	Bronze	1