



**Model: TLP Series**  
**INSTALLATION INSTRUCTIONS**

**! WARNING**

**Risk of fire, electric shock, injury or property damage**

Risk of electric shock--Disconnect power to equipment before installing or servicing.  
 This equipment must be installed according to all applicable codes & ordinances.  
 Installation and service of this equipment must be performed by qualified service personnel.  
 Do not install damaged equipment.  
 Read these instructions before installing, servicing or maintaining this equipment.  
 Save these instructions for maintaining and servicing.

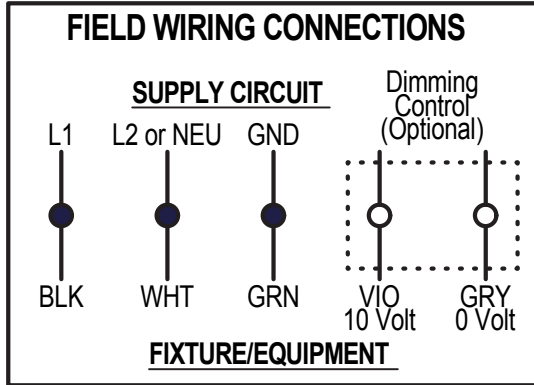
**! CAUTION**

Failure to follow instructions or altering equipment could result in damage and void warranty.  
 Edges may cut--wear gloves while handling or servicing this equipment.  
 Inspect equipment for damage from shipping and handling.

**LUMINAIRE PREPARATION**

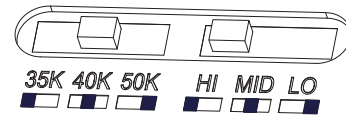
1. Remove the luminaire from the carton and inspect luminaire for damage. Do not install a damaged luminaire.

**WIRING INFORMATION**



**SET FIXTURE OUTPUT**

Set the selector switches, located near the wire access cover, to the desired CCT and wattage.  
 Note: Factory default is 4000K (40K) and highest (HI) wattage.



**ATLAS LIGHTING PRODUCTS, INC.'S LIMITED WARRANTY**

**THREE OR FIVE-YEAR LIMITED WARRANTY:** Atlas warrants that its products will be free from failure in materials and workmanship for a period of three (3) years from the date on which the product was purchased from Atlas. This warranty applies to LED products for a period of five (5) years. When this three or five-year warranty period ends, all warranties (whether express or implied) and liability of Atlas shall immediately cease. The warranty period for all lamps and photocells is one (1) year.

**LIMITATION ON IMPLIED WARRANTIES:** ALL IMPLIED WARRANTIES, INCLUDING IMPLIED WARRANTIES OF MERCHANTABILITY AND FITNESS FOR ANY PARTICULAR PURPOSE, ARE LIMITED TO AND SHALL NOT EXCEED THE TERMS OF THIS LIMITED WARRANTY.

**FURTHER LIMITATIONS OF THIS WARRANTY:** This limited warranty DOES NOT cover damage resulting from accident, misuse, abuse, improper repair, lack of reasonable care, modification (including but not limited to use of unauthorized parts or attachments), alteration, loss of parts, installation and operation contrary to printed instructions, vandalism, acts of God (lightning, power surges, water damage or similar failure), or transit (including UPS shipments). This limited warranty also does not include labor costs associated with installing replacement parts for any failed parts returned to Atlas under this warranty.

**DUTY AND PROCEDURE TO NOTIFY ATLAS OF FAILED PRODUCT:** Notification of a failed product under this warranty must be provided to Atlas within ninety (90) days after discovery of the failure. Notification occurs only by sending the following to Atlas: (1) sales receipt, (2) the date of purchase, and (3) a brief explanation of the nature of the failure. This information must be either e-mailed to Atlas at returns@alpinc.com or mailed to Atlas Lighting Products, Inc., Attn: Returns Department, P.O. Box 2348, Burlington, NC 27215. The date of the postmark of the mailing to Atlas shall constitute the date of notification under this warranty. If the information is e-mailed, the date that the e-mail is sent to Atlas shall constitute the date of notification under this warranty. Upon receiving a timely notification, Atlas will, if the notification reflects a failure of materials or workmanship, provide a Return Goods Authorization number and full instructions for returning failed merchandise. All returned goods must be accompanied by a Return Goods Authorization number issued by Atlas.

**SOLE REMEDY: REPAIR OR REPLACEMENT:** If, upon receiving a timely notification with the information stated above and receiving merchandise that appears to Atlas to have a failure in materials or workmanship, Atlas will — at Atlas's sole option — either repair the failed part(s) or provide a replacement part or parts. This remedy constitutes the sole remedy under this warranty and Atlas's sole liability in connection with any failed part(s). Atlas shall not be liable for any other expense, injury, loss or damage, whether direct, special, incidental, or consequential (including but not limited to loss of use, income, profit, or production, inconvenience, increased cost of operation, and spoilage of or damage to material and personal property). As stated above, this limited warranty does not include labor costs associated with installing replacement parts for any failed parts returned to Atlas under this warranty.

**NO OTHER REPRESENTATIONS:** No other representations, written or verbal, have been authorized by Atlas. No representative of Atlas has any authority to waive, alter, vary, or add to the terms hereof without prior approval in writing by an authorized representative of Atlas.

**SEVERABILITY:** The foregoing provisions are severable. If any provision shall be unenforceable for any reason, the other provisions shall remain in effect.

**DISCLAIMER:** ATLAS LIGHTING PRODUCTS, INC. MAKES NO REPRESENTATIONS (WRITTEN OR VERBAL) OR WARRANTIES (EXPRESS OR IMPLIED) AS TO ANY MATTER WHATSOEVER, INCLUDING WITHOUT LIMITATION THE CONDITION, MERCHANTABILITY, OR FITNESS FOR ANY PARTICULARLY PURPOSE OF ANY PRODUCT, EXCEPT AS EXPRESSLY SET FORTH UNDER THIS LIMITED WARRANTY.

THIS WARRANTY GIVES YOU SPECIFIC LEGAL RIGHTS AND YOU MAY ALSO HAVE OTHER RIGHTS WHICH VARY FROM STATE TO STATE.



# Model: TLP Series

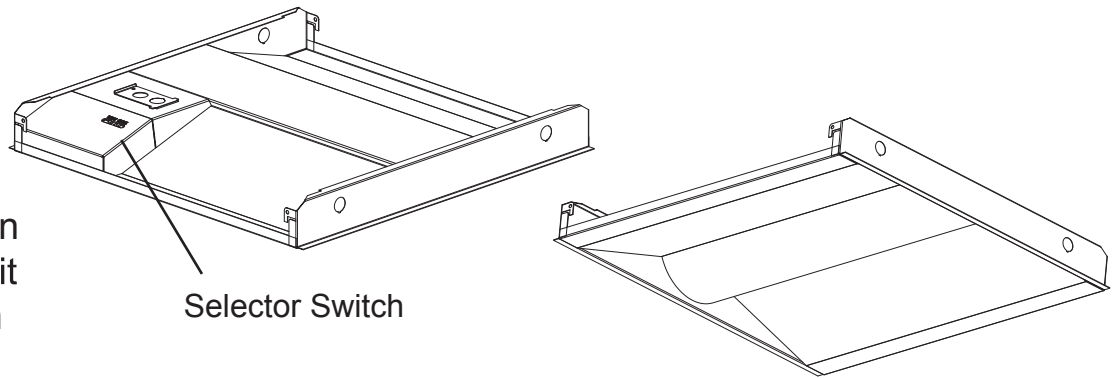
## INSTALLATION INSTRUCTIONS

**IMPORTANT:** READ BEFORE REMOVING FIXTURE FROM CARTON. RETAIN FOR FUTURE REFERENCE

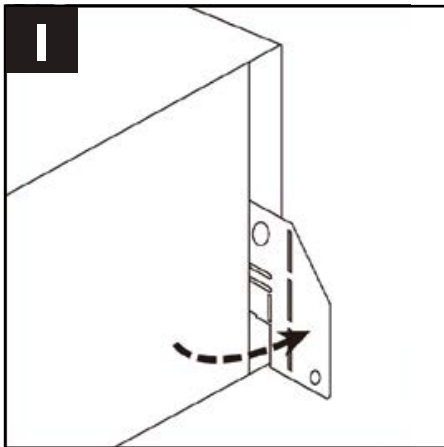
**SAFETY:** This fixture must be wired in accordance with the NATIONAL ELECTRICAL CODE and applicable local codes and ordinances. A person familiar with the construction and operation of the product and the hazards involved must install this product. A qualified licensed electrician should complete all work. Proper grounding is required for safety.

**WARNING:** Make certain power is OFF before installing or maintaining fixture.

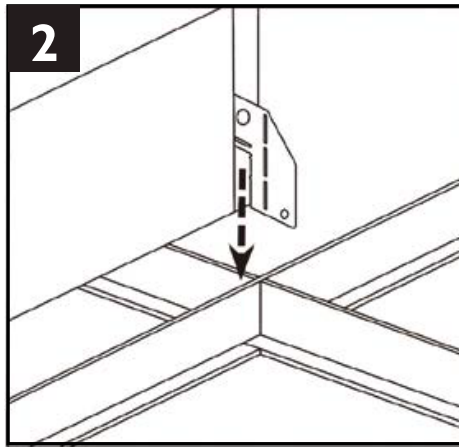
**RISK OF INJURY:** Fixture may become damaged and/or unstable if not installed properly.



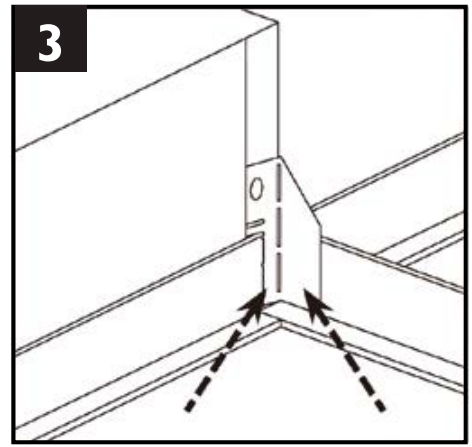
Luminaire available in 2 sizes designed to fit 24x24in and 24x48in T-grid spacings.



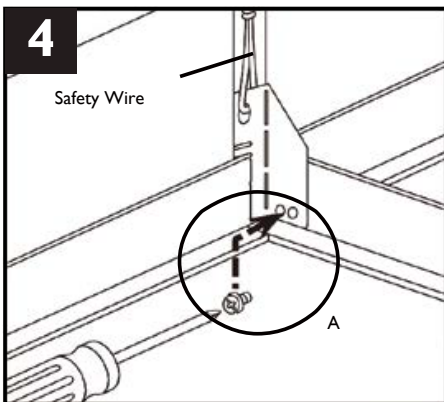
Steps 1: Bend out mounting tab 90 degrees on each corner.



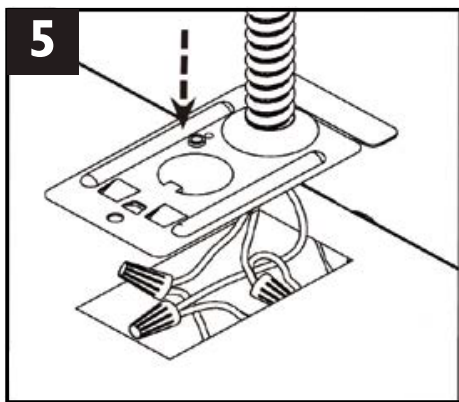
Steps 2: Lay fixture into T-grid.



Steps 3: Bend tabs flush against T-grid in order to clear corner for ceiling tile.



Steps 4: Use a #8x1/4" sheet metal screw to fasten fixture to T-grid and use a hanger wire to tie off appropriately in accordance with local building codes (screws and hanger wires supplied by others).



Steps 5: Ensure that the wiring of the last fixture in the row is properly terminated. Then make all electrical connections to the fixture. Attach the wiring access cover plate.