



# Sports Lighting Bracket Pole Bracket

## PROJECT INFORMATION

JOB NAME	
FIXTURE TYPE	Sports Light Pole Bracket
CATALOG NUMBER	500-002G
APPROVED BY	

## SPECIFICATIONS

### Construction:

- Steel

### Overall Width:

- 66" (167.64 cm)

### Weight:

- 70 lbs (31.75 kg)

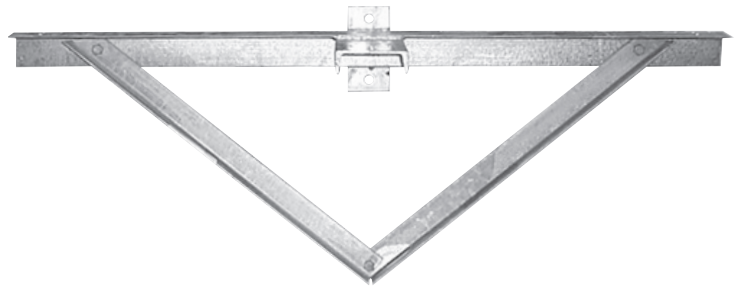
### EPA: 3.6

### Warranty:

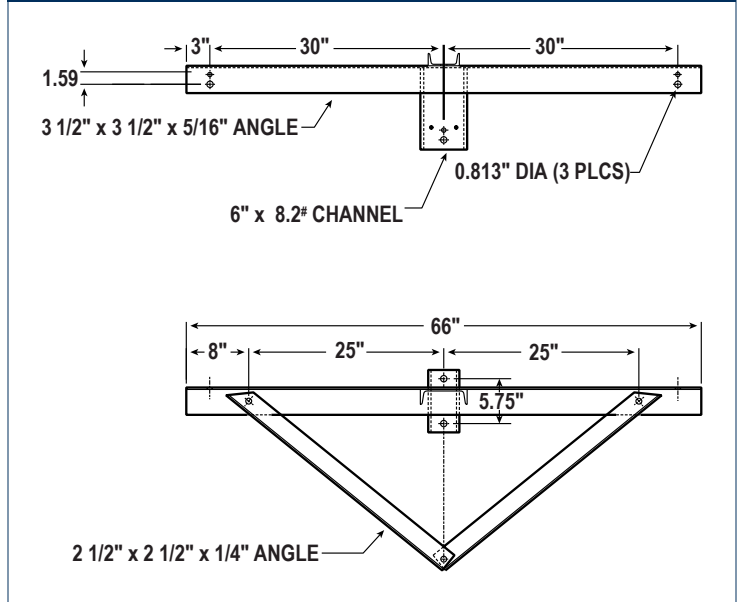
- Five-year limited warranty

### Mounting:

- For wood and steel pole mounting
- Minimum pole diameter for mounting is 4"
- Mounting hardware not included



## DIMENSIONS



## ORDERING INFORMATION

CATALOG #	DESCRIPTION	FINISH
500-002G	3 Light Bracket	Galvanized