



Universal Bracket System

Round Pole Top Adapter - 4 @ 90°

PROJECT INFORMATION

JOB NAME	
FIXTURE TYPE	Round Pole Top Adapter
CATALOG NUMBER	
APPROVED BY	

SPECIFICATIONS

Construction:

- Steel
- Pole Cap, Reducer Sleeve and Bolts Included

Mounting:

- Mounting Cleat(s) Included w/ SLP Fixture(s)

Weight:

- 500-RPT243490BZ: 7.06 lbs. / 3.2 kg.
- 500-RPT35490BZ: 10.4 lbs. / 4.73 kg.

Overall Height:

- 500-RPT243490BZ: 10.25" (26.035 cm)
- 500-RPT35490BZ: 10.25" (26.035 cm)

Overall Width:

- 500-RPT243490BZ: 4" (10.16 cm)
- 500-RPT35490BZ: 4.75" (12.065 cm)

Warranty:

- Five-year limited warranty

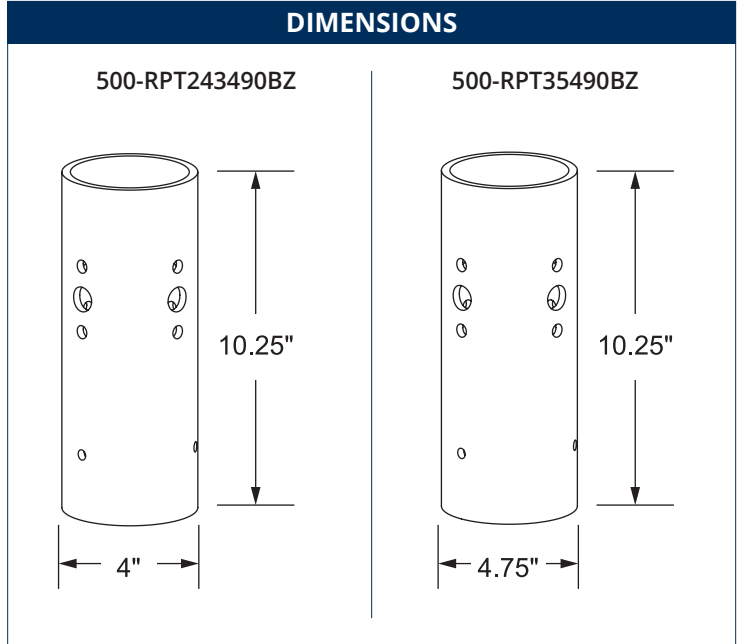


BUY AMERICAN



COMPLIANT*

DIMENSIONS



ORDERING INFORMATION

CATALOG #	DESCRIPTION	FINISH
500-RPT243490BZ	2.3" - 3.4" Pole Top O.D.	Bronze
500-RPT35490BZ	3.5" - 4" Pole Top O.D.	Bronze

FIXTURE CONFIGURATIONS

