



Low Profile Canopy Light

PROJECT INFORMATION

JOB NAME	
FIXTURE TYPE	Low Profile Canopy
CATALOG NUMBER	
APPROVED BY	

SPECIFICATIONS

Construction:

Designed for commercial and industrial applications, providing cooler operating temperatures, brighter light and longer LED life. Apertures for continuous wiring. Housing is hinged for quick and easy mounting and entrance.

Zero Glare:

Using the latest high brightness, high LED count technology, more usable light output is produced while eliminating glare. The high transmission lens, with 91% efficiency, is high impact, scratch resistant and protects the LEDs. At the same time, it delivers improved visual comfort by eliminating any glare and providing a wider smoother and more uniform light output.

Selectable Lumens and CCT Available:

Quick and easy to select and set up.

Selectable lumens: 3,000, 7,000, 10,000, 12,000 Lumens

Selectable CCTs: 4000K, 4500K and 5000K.

Thermal Management:

The Atlas Low Profile Canopy Light is designed as a complete system to optimize LED life and light output. The Patent Pending thermal stacking heat removal technology extracts heat from within the housing moving it away from LEDs and components. The lower temperatures result in long LED life (200,000+ hrs¹) and component life and also allows for higher light output.

Listings:

Luminaire is certified to UL/cUL Standards for Wet Locations

IDA Listed (3000K or warmer CCTs only)²

DesignLights Consortium qualified luminaire, eligible for rebates from DLC member utilities. See chart on other next page for qualifying products.

AC Input: 120/208/240/277V

Driver:

Constant current, Class 2, 120-277 VAC, 47-63Hz

High Efficiency – min. 85%

Off-State Power: 0 Watts

0-10 V Dimming

LEDs:

Fixed CCTs: 3000K CCT

Temperatures:

Min Start: -35°C Max: 50°C

Testing:

Atlas LED luminaires have been tested by an independent laboratory in accordance with IESNA LM-79 & LM-80.

Warranty: Five-year limited warranty

480 Volt: For 480V add suffix 4 to part number.

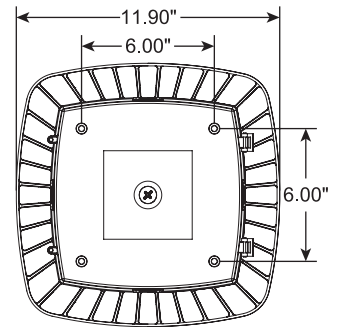
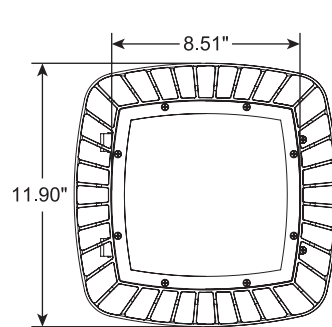
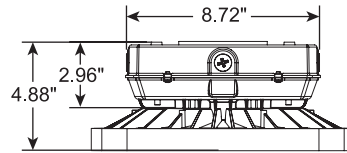
Emergency Battery Back Up: For factory installed Emergency Back-Up add suffix EB to part number. Provides emergency illumination (1,580 lumens) for a minimum of 90 minutes. (Requires larger back housing.)

¹Lumen maintenance values at 25°C are calculated per TM-21 based on LM-80 data and in-situ luminaire testing

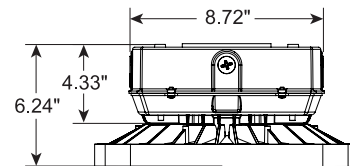


DIMENSIONS

Weight: 10.0 lbs.



Larger back housing for Emergency Battery Back Up



Rebates and Incentives are available in many areas. Contact an Atlas Representative for more information.

*The majority of Atlas Lighting Products are assembled in USA facilities by an American Workforce utilizing both Domestic and Foreign components. Meets Buy American requirements within the ARRA.



Low Profile Canopy Light



ORDERING INFORMATION

CPM	S	3-12L					
PRODUCT SERIES	SELECTABLE	WATTAGE	COLOR TEMP.	CONTROLS	VOLTAGE	FIXTURE COLOR	OPTIONS
CPM = Low Profile Canopy Series	S = Selectable	3-12L = 3,000 - 12,000 Lumens Selectable	Blank = Selectable 4000K, 4500K, 5000K	Blank = Dimming (0-10V) PC = 120V Photocontrol PM = 120-277V Photocontrol IC = Integrated Control M = Motion	Blank = 120-277 4 = 480	Blank = Bronze WT = White* BK = Black* <i>*optional with adder</i>	SP = Surge Protection EB = Emergency Battery Back-Up* <i>*Only available on 120-277V</i>
	Blank = Fixed	25LED = 25 System Watts 40LED = 40 System Watts 60LED = 60 System Watts 80LED = 80 System Watts	3K = 3000K, Dark Sky Compliant Fixture				

PERFORMANCE DATA

FIXED						
UNIT	CRI	3000K CCT		WATTAGE	REPLACES UP TO	
		DELIVERED LUMENS	EFFICACY (LPW)			
CPM25LED	83	3,363	137	25	100W MH	
CPM40LED	83	5,452	135	42	175W MH	
CPM60LED	83	7,680	127	60	250W MH	
CPM80LED	83	9,691	122	81	400W MH	

SELECTABLE										
UNIT	CRI	4000K CCT			4500K CCT			5000K CCT		
		DELIVERED LUMENS	EFFICACY (LPW)	WATTAGE	DELIVERED LUMENS	EFFICACY (LPW)	WATTAGE	DELIVERED LUMENS	EFFICACY (LPW)	WATTAGE
3-12L	80	3,217	141	23	3,323	145	23	3,213	140	23
		6,797	147	46	7,020	152	46	6,788	147	46
		9,867	145	68	10,190	149	68	9,854	145	68
		11,621	142	82	12,002	153	79	11,606	142	82

DLC PRODUCT INFORMATION

FIXED		
UNIT	3000K CCT	
	DLC PRODUCT ID	CLASSIFICATION
CPM25LED	PTJAMIW2	Standard
CPM40LED	PC0I6D88	Standard
CPM60LED	PNF664B9	Standard
CPM80LED	PLI9SFYS	Standard

SELECTABLE		
UNIT	DLC PRODUCT ID	CLASSIFICATION
CPMS3-12L	S-WBE4QP	Premium