



Eagle Series Outdoor Decorative Post Top

PROJECT INFORMATION	
JOB NAME	
FIXTURE TYPE	Eagle Post Top
CATALOG NUMBER	EPT
APPROVED BY	

SPECIFICATIONS

Construction:

- Rugged die-cast aluminum housing
- Fixtures are finished with polyester powder coat finishing process. The finish withstands extreme weather changes without cracking or peeling

Optical System:

- High density LED optical system delivers industry leading optical performance and visual comfort
- 4 distribution types 3W, 4F, 5Q & 5D
- Diffused lens version provides maximum visual comfort with reduced brightness and LED pixelization

Electrical:

- High-performance driver features over voltage, under-voltage, short-circuit and over temperature protection (6kV surge standard)
- 0-10V dimming driver (optional extended leads)
- 120-277 VAC Input 50/60 Hz or 347-480 VAC
- Operating temperature: -40°C to +40°C (-40°F to +104°F)

LEDs:

- Available in 3000K, 4000K, 4500K and 5000K CCT
- 80 CRI minimum
- Long-life LEDs provide >100,000¹ hours of operation with at least 70% of initial output (L70)

Listings:

- Luminaire is certified to UL/cUL Standards for Wet Locations.
- IP66 rated Luminaire
- 3G rated for ANSI C136.31 high vibration applications

Installation:

- Designed to mount directly to a 2 3/8" - 3" outer diameter tenon (4" tall)

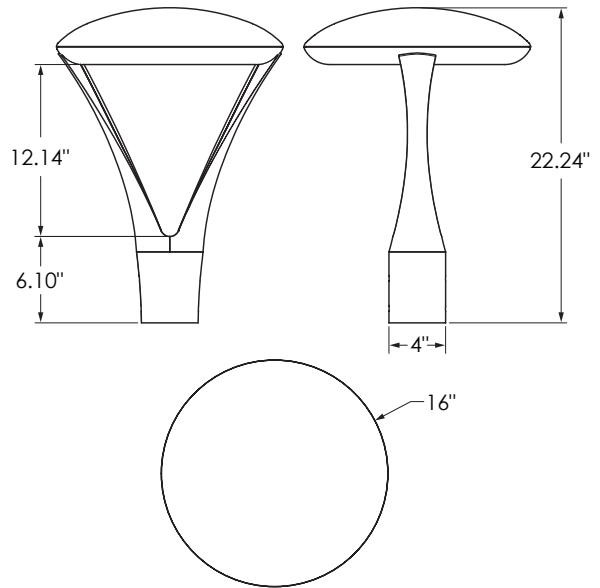
Warranty:

- Five-year limited warranty



DIMENSIONS

Weight: 25 lbs.
EPA: 0.75



¹Lumen maintenance values at 25°C are calculated per TM-21 based on LM-80 data and in-situ luminaire testing



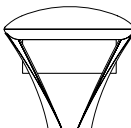
ORDERING INFORMATION

EPT	10L	5Q	UNV	40K8	BZA	
PRODUCT SERIES	LUMEN PACKAGE	DISTRIBUTION	VOLTAGE	COLOR TEMP.	FIXTURE COLOR	CONTROLS / OPTIONS
EPT = Eagle Post Top	8L = 8,000 Lumens 10L = 10,000 Lumens 14L = 14,000 Lumens	5Q = Type 5 Square 3W = Type 3 (Wide Throw) 4F = Type 4 (Forward Throw) 5D = Type 5 Diffused	UNV = Universal Voltage (120-277V) HV = High Voltage (347-480V)	30K8 = 3000K / 80 CRI 40K8 = 4000K / 80 CRI 45K8 = 4500K - 80 CRI 50K8 = 5000K / 80 CRI	BZA = Atlas Bronze BK = Black WT = White SL = Silver	Blank = None ALBMR1 = AirLink Blue Wireless Motion & Photo Sensor Controller (8-24' mounting height) ¹ ALBMR2 = AirLink Blue Wireless Motion & Photo Sensor Controller (25-40' mounting height) ¹ IMSBT1L = Integral Bluetooth™ Motion and Photocell Sensor (8 - 24' mounting height) ¹ IMSBT2L = Integral Bluetooth™ Motion and Photocell Sensor (25 - 40' mounting height) ¹ CR7P = 7 Pin Control Receptacle ANSI C136.413 ² EXT = 0-10v Dimming leads extended to housing exterior SP = 10kV Surge Protection
¹ Sensors are field configurable via a phone app that can be downloaded from your smartphone's app store. ² Control device or shorting cap must be ordered separately. See Accessory Ordering Information.						

CONTROLS ACCESSORIES ORDERING INFORMATION²

CATALOG #	DESCRIPTION
230-014	Twist Lock Photocell (120-277V) for use with CR7P
230-016	Twist Lock Photocell (347-480V) for use with CR7P
661409	AirLink 5 Pin Twist Lock Controller
661410	AirLink 7 Pin Twist Lock Controller
230-010	120-480V Shorting Cap for use with CR7P

MOUNTING ACCESSORIES ORDERING INFORMATION³

	CATALOG #	DESCRIPTION
	764420CLR ⁴	Internal Flush Mount Adapter for 4" OD Round Pole
	500-009BZ	Internal Tenon Adapter for 4" Square Pole
	500-010BZ	Internal Tenon Adapter for 5" Square Pole
	694642CLR ⁴	Internal Tenon Adapter for 6" Square Pole
	781340	EHS - External Shield (Black Finish Only)

³Accessories are shipped separately and field installed.

⁴"CLR" to be replaced by paint finish selection. See Finish options for paint color selections.



Eagle Series
Outdoor Decorative Post Top

PERFORMANCE DATA

LUMEN PACKAGE	DISTRIBUTION	CRI	3000K CCT		4000K CCT		4500K CCT		5000K CCT		WATTAGE	BUG RATING
			DELIVERED LUMENS	EFFICACY (LPW)	DELIVERED LUMENS	EFFICACY (LPW)	DELIVERED LUMENS	EFFICACY (LPW)	DELIVERED LUMENS	EFFICACY (LPW)		
8L	5Q	80	7,790	141	7,974	145	8,056	145	8,080	146	55	B3-U3-G1
	4F		7,720	140	7,901	143	7,982	143	8,006	145		B2-U3-G1
	3W		7,692	140	7,874	143	7,955	143	7,979	145		B2-U3-G2
	5D		7,173	130	7,342	133	7,417	133	7,439	134		B2-U3-G1
10L	5Q	80	9,823	139	10,055	143	10,156	143	10,188	144	70	B3-U3-G1
	4F		9,735	138	9,965	141	10,065	141	10,097	143		B2-U3-G2
	3W		9,701	138	9,930	141	10,029	141	10,062	143		B2-U3-G2
	5D		9,045	128	9,258	131	9,351	131	9,381	132		B3-U3-G2
14L	5Q	80	13,538	134	13,857	138	13,996	138	14,041	140	100	B3-U3-G2
	4F		13,415	133	13,732	137	13,869	137	13,915	139		B2-U3-G2
	3W		13,369	133	13,685	137	13,822	137	13,866	139		B3-U3-G3
	5D		12,465	124	12,759	127	14,416	143	12,928	129		B3-U3-G2