



Linear High Bay Field Configurable

PROJECT INFORMATION

JOB NAME	
FIXTURE TYPE	Field Configurable High Bay
CATALOG NUMBER	FCHB
APPROVED BY	

SPECIFICATIONS

Construction:

Constructed from high-grade die-cast aluminum with a durable white powder coat finish. Offers three electronically selectable distribution patterns, enabling precise lighting control for applications ranging from wide-area coverage to narrow aisle illumination.

Lens:

Injection molded acrylic lens reduces glare.

Selectable Optical Distributions:

Wide (90°), Standard (65°), Aisle (45°)

Electrical:

Universal 120-347V or 480V AC voltage (50-60Hz)

0-10 V Dimming

10kV/10kA External Surge Protection Standard

Operating Temperature -40°C to +50°C (-40°F to +122°F)

LEDs:

80 CRI minimum

Long-life LEDs provide 100,000¹ hours of operation with at least 70% of initial output (L70).

FCHB series fixtures are selectable with 3500K, 4000K and 5000K.

Listings:

IK09 rated luminaire per IEC 66262 mechanical impact code

Luminaire is certified to UL/cUL Standards for Damp Locations.

DesignLights Consortium qualified luminaire, eligible for rebates from DLC member utilities.

Testing:

Atlas LED luminaires have been tested by an independent laboratory in accordance with IESNA LM-79 & LM-80.

Installation:

Standard 3' chain mount and V-hooks included.

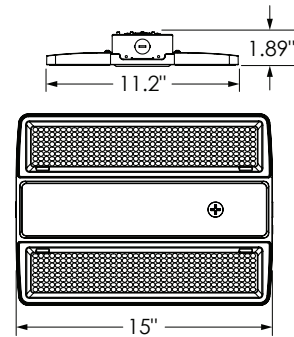
Warranty:

Five-year limited warranty

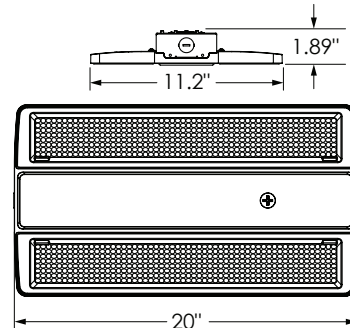


DIMENSIONS

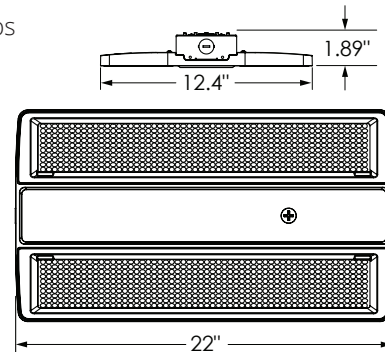
Weight: 5.4 lbs



Weight: 7.6 lbs



Weight: 9.4 lbs



¹Lumen maintenance values at 25°C are calculated per TM-21 based on LM-80 data and in-situ luminaire testing



Linear High Bay Field Configurable



ORDERING INFORMATION

FCHB	12-20L				
PRODUCT SERIES	LUMEN PACKAGE	COLOR TEMP.	CONTROLS	VOLTAGE	OPTIONS
FCHB = Field Configurable High Bay	12-20L = 12,000 - 20,000 Lumens Selectable 24-36L = 24,000 - 36,000 Lumens Selectable 36-48L = 36,000 - 48,000 Lumens Selectable	blank = Selectable 3500K, 4000K, 5000K	Blank = Dimming (0-10V)	Blank = 120-347 4 = 480	xC* = 3' Cord (No Plug) xT* = 3' 120V Cord & Plug xE* = 3' 208V Cord & Plug xF* = 3' 240V Cord & Plug xS* = 3' 277V Cord & Plug EB ^{1,2} = Emergency Back-Up *x = 3 for 3' Cord; 6 for 6' cord, 10 for 10' cord; and 20 for 20' cord lengths ¹ All lumen packages, 120-347V EB = 16W, ² 12-20L, 480V = 20W EB, 24-36L & 36-48L, 480V = 40W EB

PERFORMANCE DATA

UNIT	CRI	DISTRIBUTION	3500K CCT		4000K CCT		5000K CCT		WATTAGE	REPLACES UP TO
			DELIVERED LUMENS	EFFICACY (LPW)	DELIVERED LUMENS	EFFICACY (LPW)	DELIVERED LUMENS	EFFICACY (LPW)		
12-20L	80	Standard (65°)	12,829	169	13,130	176	13,024	171	75	175W MH
			16,697	163	17,153	171	16,895	165	105	250W MH
			19,540	157	20,060	165	19,697	158	130	400W MH
24-36L	80	Standard (65°)	24,996	169	25,502	178	25,211	169	150	400W MH
			30,845	164	31,935	175	31,245	164	200	400W MH
			36,431	162	37,948	174	36,822	162	240	400W MH
36-48L	80	Standard (65°)	35,814	169	37,073	178	36,282	170	220	400W MH
			41,768	164	43,533	174	43,068	166	270	750W MH
			47,711	158	49,189	168	48,482	160	320	750W MH

*Note: For Aisle (45°) distribution multiply lumens by 0.94; for Wide (90°) distribution multiply lumens by 0.96

DLC PRODUCT INFORMATION

UNIT	DLC PRODUCT ID	CLASSIFICATION
FCHB12-20L	S-TDTX85	Premium
FCHB24-36L	S-PHSZD9	Premium
FCHB36-48L	S-7ZBHF5	Premium
FCHB12-20L4	S-JC73Q9	Premium
FCHB24-36L4	S-LMK03R	Premium
FCHB36-48L4	S-SS2V1R	Premium

FIELD INSTALLABLE

(purchased separately)

PART #	DESCRIPTION
896148 ¹	Pendant mount kit for FCHB
896149	16W emergency back up kit
IRH-MOT	Control connect sensor
802874	AirLink Blue quick control Bluetooth sensor

¹Pendant Mount Kit not compatible with Emergency Backup Kit installed