



Wall Light

Field Configurable

PROJECT INFORMATION

JOB NAME	
FIXTURE TYPE	Field Configurable Wall Light
CATALOG NUMBER	FCW
APPROVED BY	

SPECIFICATIONS

Construction:

Die cast aluminum housing
UV stabilized powder coated finish

Lens:

Borosilicate glass

Electrical:

AC Input: 120-277V 50/60Hz

0-10V Dimming

Includes Photocontrol

Temperatures: Min: -40°C Max: 45°C

LEDs:

Long-life LEDs provide 50,000 hours of operation with at least 70% of initial output (L70).

Selectable lumens: 5,000-11,000

Selectable CCTs: 3000K, 4000K and 5000K.

CRI ≥80

Listings:

Luminaire is certified to UL/cUL Standards for Wet Locations.

DesignLights Consortium qualified luminaire, eligible for rebates from DLC member utilities.

Testing:

Atlas LED luminaires have been tested by an independent laboratory in accordance with IESNA LM-79 & LM-80.

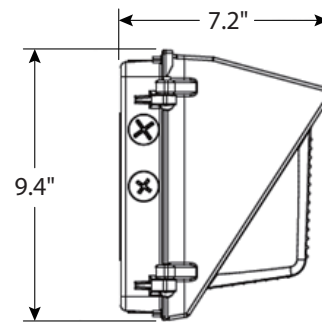
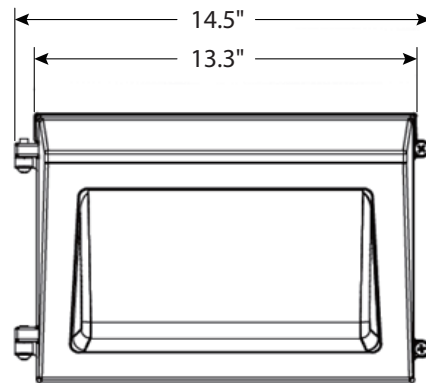
Warranty:

Five-year limited warranty



DIMENSIONS

Weight: 7.8 lbs.



¹Lumen maintenance values at 25°C are calculated per TM-21 based on LM-80 data and in-situ luminaire testing

Rebates and Incentives are available in many areas. Contact an Atlas Representative for more information.



Wall Light
Field Configurable

ORDERING INFORMATION

FCW	5-11L				
PRODUCT SERIES	LUMEN PACKAGE	COLOR TEMP.	CONTROLS	VOLTAGE	FIXTURE COLOR
FCW = Field Configurable Wall Light	5-11L = 5,000 - 11,000 Lumens Selectable	blank = Selectable 3000K, 4000K, 5000K	Blank = Selectable Photocontrol Included	Blank = 120-277V	Blank = Bronze

PERFORMANCE DATA

SELECTABLE

UNIT	CRI	DISTRIBUTION	Selectable 3000K CCT		Selectable 4000K CCT		Selectable 5000K CCT		WATTS	BUG RATING	REPLACES UP TO
			DELIVERED LUMENS	EFFICACY (LPW)	DELIVERED LUMENS	EFFICACY (LPW)	DELIVERED LUMENS	EFFICACY (LPW)			
5-11L	≥ 80	Down	6191	155	6265	164	6231	158	40W	B1-U4-G4	400W MH
			8491	153	8593	161	8546	156	55W	B1-U4-G5	
			10,518	149	10,921	160	10,623	150	70W	B1-U4-G5	
		Full	6161	156	6235	160	6200	157	40W	B1-U4-G4	
			8450	155	8551	158	8504	156	55W	B1-U4-G5	
			10,467	151	10,592	155	10,534	153	70W	B1-U5-G5	
		FT	5635	142	5702	149	5671	144	40W	B1-U4-G4	
			7728	140	7821	147	7778	142	55W	B1-U4-G5	
			9,573	135	9,878	145	9,644	136	70W	B1-U4-G5	

DLC PRODUCT INFORMATION

UNIT	DLC PRODUCT ID	CLASSIFICATION
FCW5-11L	S-5NGCCF	Premium