

# LED Light Fixture

### SAVE THESE INSTRUCTIONS



#### BEFORE YOU BEGIN

Read and follow all safety instructions



### WARNING

#### RISK OF FIRE, EXPLOSION AND ELECTRIC SHOCK

- This product should be installed, inspected, and maintained by a qualified electrician only, in accordance with the NEC (National Electric Code) and all local codes.
- This person should be familiar with the construction and operation of the product and the hazards involved.
- This light is for outdoor use and should not be used in areas of limited ventilation or high ambient temperature.
- Turn off electrical power before inspection, installation or removal.
- Disconnect the power by turning off the circuit breaker - turning the power off by using a light switch is not sufficient to prevent electrical shock.
- Make sure the fixture is cool to the touch before performing maintenance.



### Prepare Electrical Wiring



#### Electrical Requirements

- The fixture must be supplied with a voltage within the specified rating on the product label.
- The fixture must be connected to an individual, grounded branch circuit protected by a properly sized circuit breaker.
- Only use UL (or other NRTL) approved wire for supply connections - minimum 18 AWG, 75°C rated supply wire.



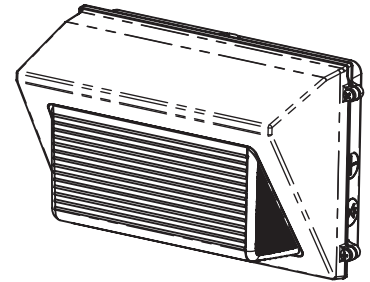
#### Grounding Instructions

- The grounding of the overall system shall be done in accordance with NEC Article 600 and local codes.

# LED Wall Pack

Model: FCW

## Installation Guide



### Tools Required

- Wire Strippers
- Wire Cutters
- Screwdriver
- Cordless Drill
- Assorted Drill Bits



**CAUTION:** Ensure the branch supply power is shut off at the breaker panel before continuing with the installation.

### Preparation

- Check for visible damage to the fixture, accessories, cables, and electrical wires.

### Installation

1. Loosen the two (2) screws on the right side of the glass frame and separate the front LED frame assembly from the mounting base.
2. Drill the appropriate holes in the casting for wiring box mounting or surface mounting.  
If mounting directly to a wall: Use hole locations A for surface mount with side conduit access (Figure 1).  
If mounting to a junction box: Use pattern B, and drill the appropriate holes the size of the wiring box. Drill a 1/2" hole in the center of pattern B for wiring access and pull wires through the mounting base before mounting (Figure 1).
3. Use suitable hardware (by others) to secure the mounting base to the wiring box or mounting surface.
4. Remove the appropriate conduit plug for side conduit access and surface wiring.
5. Make the wiring connections per the Wiring Diagram. Cap dimming leads if unused.
6. Adjust the FAO controller to the desired settings for CCT, Wattage and Throw Angle.
7. Apply a weatherproof sealant to cover seal the drilled holes in the mounting base. Failure to apply a weatherproof sealant will void any warranties.
8. Reinstall the front assembly and secure with the two screws. Take care to not pinch any wires.
9. Restore branch supply power and ensure the fixture functions properly. If the fixture does not turn on or function properly, shut off the branch supply power and recheck all electrical connections.
10. Apply a weatherproof sealant along the top and sides of mounting base where it contacts the mounting surface to prevent water ingress. Failure to apply a weatherproof sealant will void any warranties.

*Specifications subject to change without notice. Manufacturer assumes no responsibility for improper installation or use. Follow all local and national electrical codes. Use only with components and accessories specified by the manufacturer. Do not modify this product. This product complies with UL / cUL and FCC requirements.*

# Installation Guide

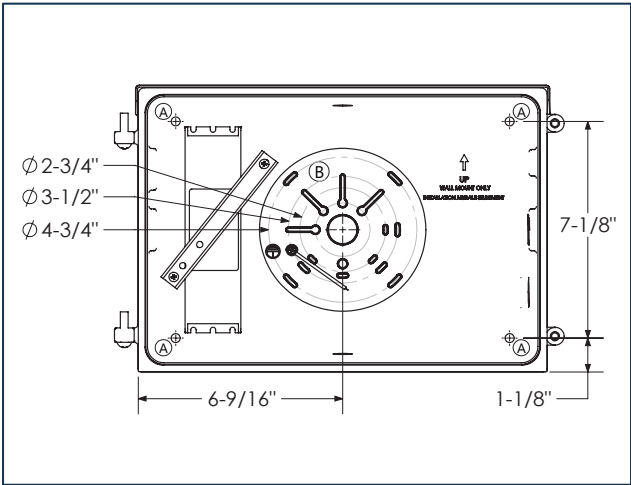
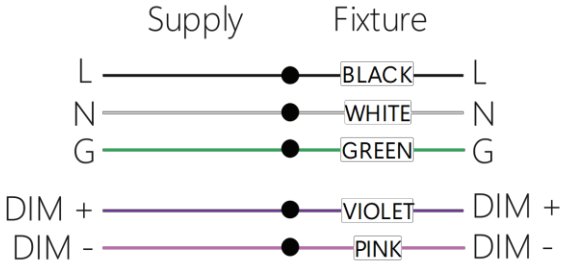


Figure 1

## Standard Wiring Diagram



### Photocontrol Notes

For units with the plug-style photocontrol, adjust the switch on the back side to turn the photocontrol feature ON or OFF (Figure 2). The photocontrol can be adjusted without opening the fixture by unscrewing it from the conduit access.

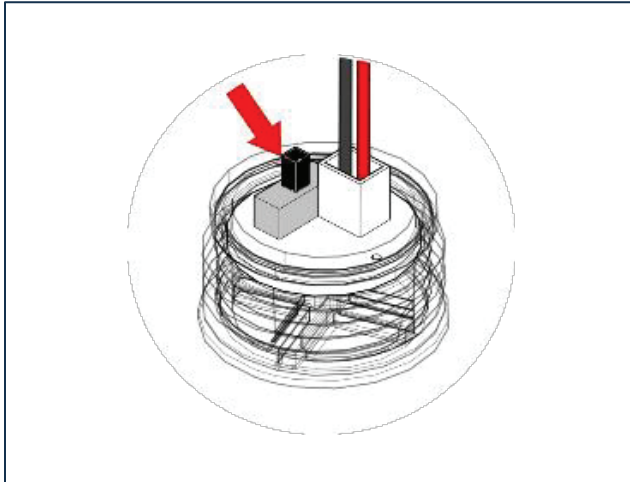


Figure 2

*Specifications subject to change without notice. Manufacturer assumes no responsibility for improper installation or use. Follow all local and national electrical codes. Use only with components and accessories specified by the manufacturer. Do not modify this product. This product complies with UL / cUL and FCC requirements.*