



Linear
2' | 4' High Bay

PROJECT INFORMATION

JOB NAME	
FIXTURE TYPE	Linear High Bay
CATALOG NUMBER	
APPROVED BY	

SPECIFICATIONS

Construction:

The heavy duty construction is made of rigid 20 gauge steel that has a post painted polyester coat finish. The lightweight heat sinks are designed to perform in ambient temperatures up to 60°C. The Quick Wire access panel allows for easy power connection.

Tool-less Snap-on Lens:

The high transmission lens, with 91% efficiency, is high impact, scratch resistant and protects the LEDs. At the same time it delivers improved visual comfort by eliminating any glare and providing a wider smoother and more uniform light output.

Electrical:

AC Input: 120/208/240/277V 347/480V
 Constant current, Class 2 120-277 VAC, 47-63Hz
 High Efficiency – min. 85%
 Off-State Power: 0 Watts
 0-10 V Dimming
 Temperatures: Min Start: -35°C Max: 50°C
 L70 Calculated Life: >200,000 Hours¹

LEDs:

Atlas LEDs provide higher lumen output, greater energy efficiency and more reliable fixture performance. ILH series fixtures operate at 4000K, 4500K and 5000K CCT. 200,000+ hrs.¹ lifespan

Listings:

Luminaire is certified to UL/cUL Standards for Damp Locations DesignLights Consortium qualified luminaire, eligible for rebates from DLC member utilities. ²See chart on last page for qualifying products.

Testing:

Atlas LED luminaires have been tested by an independent laboratory in accordance with IESNA LM-79 & LM-80.

Installation:

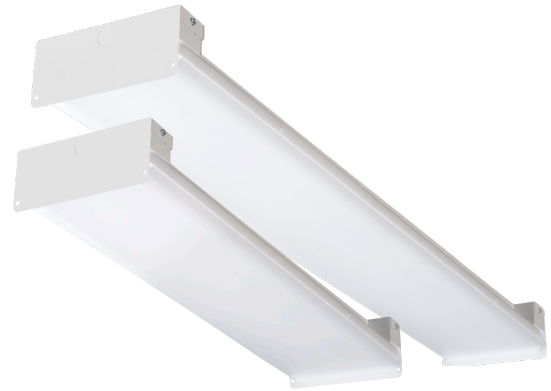
Suitable for suspension by chain, cable, or single (pendant) monopoint. To maintain ambient listing, mount minimum 6" from ceiling.

Warranty:

Five-year limited warranty

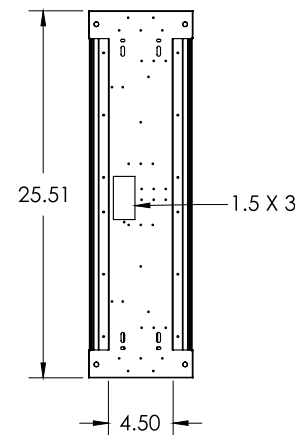
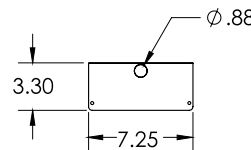
Additional Options:

For 480V add suffix 4 to part number.
 Emergency Back-Up add suffix EB to part number.

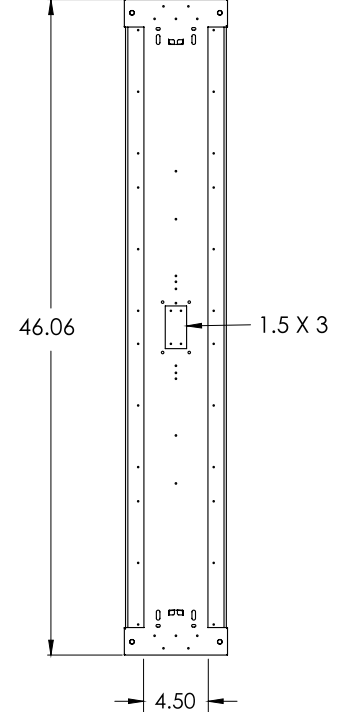
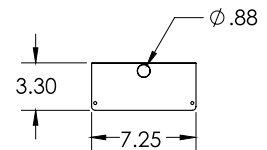


DIMENSIONS

Weight: 7.6 lbs.



Weight: 10 lbs.



Rebates and Incentives are available in many areas. Contact an Atlas Representative for more information.

¹LED Life Span Based Upon LM-70 Test Results



Linear
2' | 4' High Bay

ORDERING INFORMATION

ILHS	2	9L	L		
PRODUCT SERIES	FIXTURE LENGTH	LUMEN PACKAGE	LENS OPTION	COLOR TEMP.	OPTIONS
ILHS = Slim LED Linear High Bay	2 = 2 Feet	9L = 9,000 Lumen Package 12L = 12,000 Lumen Package 15L = 15,000 Lumen Package	Blank = Without Lens L = With Lens	Blank = 4500K 4K = 4000K 5K = 5000K	xC* = 3' Cord (No Plug) xT* = 3' 120V Cord & Plug xE* = 3' 208V Cord & Plug xF* = 3' 240V Cord & Plug xS* = 3' 277V Cord & Plug F = Inline Fusing EB = Emergency Back-Up M = Motion Sensor P = Pendant Mount IC = Integrated Control 4 = 480V Driver <i>*x = 3 for 3' Cord; 6 for 6' cord; 10 for 10' cord; and 20 for 20' cord lengths</i>
	4 = 4 Feet	9L = 9,000 Lumen Package 12L = 12,000 Lumen Package 15L = 15,000 Lumen Package 18L = 18,000 Lumen Package 24L = 24,000 Lumen Package 30L = 30,000 Lumen Package			

PERFORMANCE DATA

UNIT	FIXTURE LENGTH	CRI	4000K CCT		4500K CCT		5000K CCT		WATTAGE	REPLACES Up To
			DELIVERED LUMENS	EFFICACY (LPW)	DELIVERED LUMENS	EFFICACY (LPW)	DELIVERED LUMENS	EFFICACY (LPW)		
Without Lens										
ILHS29L	2'	80	10,300	139	10,300	139	10,300	139	74	4L T8 FL
ILHS212L	2'	80	12,421	151	12,303	146	12,503	152	84	175W MH
ILHS215L	2'	80	15,277	154	14,915	148	15,277	154	101	250W MH
ILHS49L	4'	80	9,452	155	9,452	155	9,831	161	61	4L T8 FL
ILHS412L	4'	80	11,530	154	11,530	154	11,530	154	75	175W MH
ILHS415L	4'	80	15,819	148	15,267	148	15,267	153	103	250W MH
ILHS418L	4'	80	18,270	145	17,632	139	17,632	139	126	250W MH
ILHS424L	4'	80	26,102	156	25,191	150	25,191	150	167	400W MH
ILHS430L	4'	80	31,151	153	30,064	147	30,064	147	204	400W MH
With Lens										
ILHS29LL	2'	80	9,631	130	9,631	130	9,635	131	74	4L T8 FL
ILHS212LL	2'	80	11,580	140	11,485	137	11,580	140	84	175W MH
ILHS215LL	2'	80	14,353	144	13,841	137	14,353	144	101	250W MH
ILHS49LL	4'	80	8,907	147	8,907	147	8,907	147	61	4L T8 FL
ILHS412LL	4'	80	10,870	145	10,870	145	10,870	145	75	175W MH
ILHS415LL	4'	80	14,914	145	14,393	140	14,393	140	103	250W MH
ILHS418LL	4'	80	17,231	137	16,630	132	16,630	132	126	250W MH
ILHS424LL	4'	80	24,698	148	23,836	142	23,836	142	167	400W MH
ILHS430LL	4'	80	29,500	145	28,470	139	28,470	139	204	400W MH



Linear
2' | 4' High Bay

DLC PRODUCT INFORMATION

UNIT	FIXTURE LENGTH	4000K CCT		4500K CCT		5000K CCT	
		DLC PRODUCT ID	CLASSIFICATION	DLC PRODUCT ID	CLASSIFICATION	DLC PRODUCT ID	CLASSIFICATION
Without Lens							
ILHS29L	2'	n/a	n/a	n/a	n/a	n/a	n/a
ILHS212L	2'	PH2JMC0D	Standard	P6COBNJG	Standard	PGH2AC70	Standard
ILHS215L	2'	PNUXTR2G	Standard	PMJGJZPH	Standard	PS4XMME1	Standard
ILHS49L	4'	PEFBCF8B	Standard	PT0Q1AOU	Standard	PNL8XT2U	Standard
ILHS412L	4'	PB8QDKC6	Standard	PDTZ52V5	Standard	PLLTDP6L	Standard
ILHS415L	4'	PZPURN66	Standard	PJ8HEAN1	Standard	P7QOCY1B	Standard
ILHS418L	4'	PW8ROZYX	Standard	PMJ131ZH	Standard	PI6SHGH1	Standard
ILHS424L	4'	PQM51IJG	Standard	PIDRCHDD	Standard	PTZJBNBQ	Standard
ILHS430L	4'	P8W5SPKE	Standard	P6TNH66F	Standard	PQF10YU8	Standard
With Lens							
ILHS29LL	2'	n/a	n/a	n/a	n/a	n/a	n/a
ILHS212LL	2'	PB0JG65V	Standard	PGSBCC30	Standard	P2IW3ECS	Standard
ILHS215LL	2'	PO7K7MVV	Standard	PQLKBQDN	Standard	PEM8NLKT	Standard
ILHS49LL	4'	PSSUU3U1	Standard	PQL6CD79	Standard	PB35L4FJ	Standard
ILHS412LL	4'	PDVB49L9	Standard	PSKUYZUA	Standard	PVJKS5W2	Standard
ILHS415LL	4'	PGTNNJWM	Standard	P7MNRMWE	Standard	P1EDLBLK	Standard
ILHS418LL	4'	P239NBUU	Standard	PYYV8D82	Standard	PYGTSNQ4	Standard
ILHS424LL	4'	PR1DUHXP	Standard	PZ23TCGJ	Standard	PETP334R	Standard
ILHS430LL	4'	P5A6ZHWZ	Standard	P0VKR2JZ	Standard	PWEK9P45	Standard