



Linear
Selectable 4' | 8' Lensed Strip

PROJECT INFORMATION

JOB NAME	
FIXTURE TYPE	Selectable Linear Lensed Strip
CATALOG NUMBER	
APPROVED BY	

SPECIFICATIONS

Construction:
Rigid 22 gauge post painted housing is available for individual or continuous row mounting. The tool-less access allows easy entry into the wireway chamber.

Lens:
High transmission custom extruded frosted acrylic radius lens eliminates bright spots from individual LED's and provides high vertical illumination and visual comfort.

Electrical:
AC Input: 120-277V, 47-63Hz
Constant current, Class 2
High Efficiency – min. 85%
Off-State Power: 0 Watts
Temperatures: Min Start: -30°C to +50°C (-22°F to +122°F)
Dimming 0-10V
100,000+ hrs. lifespan¹

LEDs:
Atlas LEDs provide higher lumen output, greater energy efficiency and more reliable fixture performance.
Fixtures operate at 4000K, 4500K & 5000K CCT Selectable.

Listings:
Luminaire is certified to UL/cUL Standards for Damp Locations
DesignLights Consortium qualified luminaire, eligible for rebates from DLC member utilities. *See chart on next page for qualifying products.*

Testing:
Atlas LED luminaires have been tested by an independent laboratory in accordance with IESNA LM-79 & LM-80.

Installation:
Suitable for surface, pendant, grid and chain mounting. Alignment couplers furnished for continuous row installation.

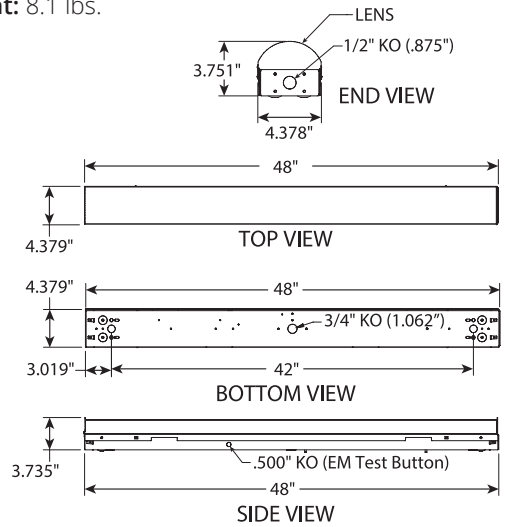
Warranty:
Five-year limited warranty

Additional Options:
For factory installed Emergency Back-Up add suffix EB to part number.

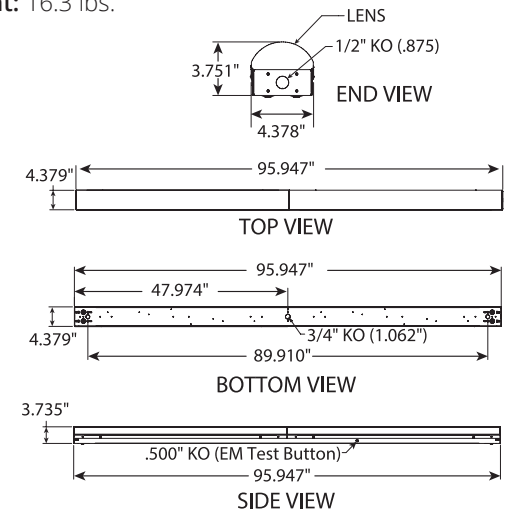


DIMENSIONS

Weight: 8.1 lbs.



Weight: 16.3 lbs.



Rebates and Incentives are available in many areas. Contact an Atlas Representative for more information.

¹LED Life Span Based Upon LM-80 Test Results



Linear
Selectable 4' | 8' Lensed Strip

ORDERING INFORMATION

ILS	S	4	4-7L	L		
PRODUCT SERIES	SELECTABLE	FIXTURE LENGTH	LUMEN PACKAGE	LENS OPTION	COLOR TEMP.	OPTIONS
ILS = LED Linear Industrial Strip	S = Selectable	4 = 4 ft	4-7L = 4,000-7,000 Lumen Selectable	blank = no lens L = With Lens	blank = Selectable 4000K, 4500K, 5000K	xC* = 3' Cord (No Plug) xT* = 3' 120V Cord & Plug xE* = 3' 208V Cord & Plug xF* = 3' 240V Cord & Plug xS* = 3' 277V Cord & Plug EB = Emergency Back-Up M = Motion Sensor <i>*x = 3 for 3' Cord; 6 for 6' cord, 10 for 10' cord; and 20 for 20' cord lengths</i>
		8 = 8 ft	8-14L = 8,000-14,000 Lumen Selectable			

PERFORMANCE DATA

LUMEN PACKAGE	FIXTURE LENGTH	CRI	4000K CCT		4500K CCT		5000K CCT		WATTAGE
			DELIVERED LUMENS	EFFICACY (LPW)	DELIVERED LUMENS	EFFICACY (LPW)	DELIVERED LUMENS	EFFICACY (LPW)	
ILSS44-7L	4 ft	80	4,635	158	4,895	167	4,682	159	29
			5,813	154	6,140	162	5,872	155	38
			7,466	147	7,820	161	7,479	147	51
ILSS44-7LL	4 ft	80	4,175	142	4,412	150	4,222	144	29
			5,236	139	5,534	146	5,295	140	38
			6,658	131	6,990	144	6,688	132	51
ILSS88-14L	8 ft	80	8,056	171	8,410	178	7,941	168	47
			11,867	168	12,388	175	11,697	165	71
			15,831	161	16,526	168	15,590	159	98
ILSS88-14LL	8 ft	80	7,335	156	7,657	162	7,230	153	47
			10,746	152	11,218	159	10,592	150	70
			14,307	146	14,935	159	14,101	144	98

DLC PRODUCT INFORMATION

UNIT	FIXTURE LENGTH	DLC PRODUCT ID	CLASSIFICATION
for Direct Linear Ambient Luminaires			
ILSS44-7L	4'	S-P921RP	Standard
ILSS44-7LL	4'	S-72HK6C	Standard
ILSS88-14L	8'	S-80FDB2	Standard
ILSS88-14LL	8'	S-2GLKX4	Standard