



MODEL #: ORC5L4K

UPC #: 765364023958

# Canopy Light



## Specifications

### Electrical Specifications

- Input Wattage: 36.35W
- Efficacy: 127.38 LpW
- AC Input: 120/208/240/277 V
- Driver: Constant current, Class 2, 120-277VAC 50/60Hz

### Lighting Specifications

- Total Lumens: 4,630
- Color Temperature: 4000K
- Color Rendering Index: 70

### Housing Specifications

- Die-cast aluminum housing
- UV stabilized power coated finish
- Color: Bronze
- Lifespan: 50,000 hours

### Lens

- Clear polycarbonate

### Listings

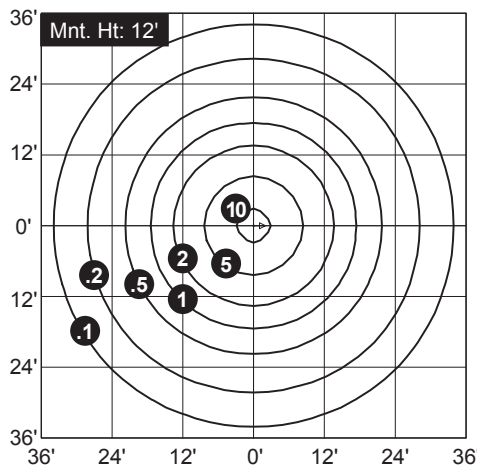
- UL/cUL standards for wet locations
- DLC Premium qualified luminaire, eligible for rebates from DLC member utilities.  
DLC Prod. ID: PLYMHEV85TU8

### Warranty

- 5-Year limited warranty

Model	Watts	Lumens	Volts	Color Temp.
ORC5L4K	36.35	4,630	120-277	4000K

## Photometrics



Light Loss Factor	1.00
Total Lumens	4630
Mounting Height	12'
Max. Calculated Value	11.31Fc



# origin

BY ATLAS  
LIGHTING

PROJECT INFORMATION

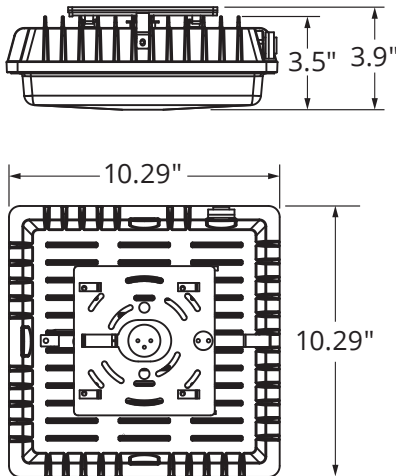
MODEL #: ORC5L4K

UPC #: 765364023958

## Canopy Light

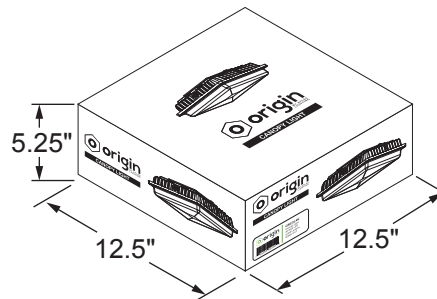
### Dimensions

#### Product Dimensions



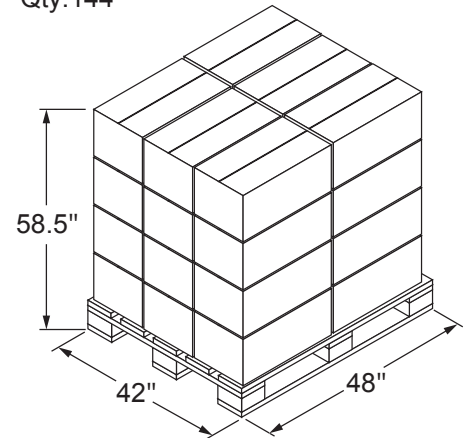
#### Carton Dimensions

Weight: 6.3 lbs.



#### Pallet Dimensions

Qty: 144



### Installation

1. Remove the junction box mounting plate from the top of the fixture by loosening one side screw and sliding the fixture plate out from the holding brackets on the top of the casting.
2. Install the mounting plate to the junction box with two screws (not provided). The bracket should be positioned to allow the fixture to be "square" with the sides of the canopy the fixture is mounted to.
3. Hang the fixture from support spring while wiring the unit. Bring the fixture input wires from the top of the fixture and connect to the power leads in the junction box - black to black (hot), white to white (neutral), and green to green (ground).
4. Connect the main housing to the junction box bracket. Hold in place while reinstalling one side locking screw.
5. Turn on the power. The fixture will come to full output in several seconds.

