



MODEL #: _____
 UPC #: _____

Selectable Large Flood



Specifications

Electrical Specifications

- Input Wattage: 70W - 91W
- Efficacy: up to 146 LpW
- AC Input: 120/208/240/277 V
- Driver: Constant current, Class 2, 120-277VAC 50/60Hz
- Dimming: 0-10V
- Includes Photocontrol

Lighting Specifications

- Total Lumens: 10,181 | 13,037
- Color Temperature: Selectable 3000K, 4000K, 5000K CCT
- Color Rendering Index: 70

Housing Specifications

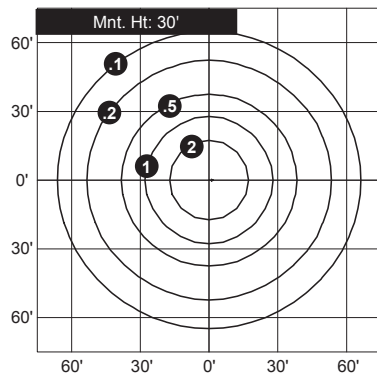
- Die-cast aluminum housing
- UV stabilized power coated finish
- Color: Bronze
- Lifespan: 50,000 hours

Listings

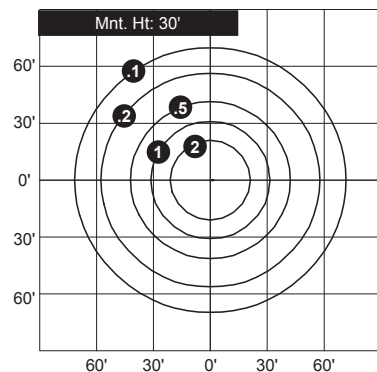
- UL/cUL standards for wet locations
- DLC Premium qualified luminaire, eligible for rebates from DLC member utilities.

Model	Watts	Lumens	Volts	Color Temp.
ORLF10LSELPC	72	10,181	120-277	Selectable 3000K, 4000K, 5000K
ORLF14LSELPC	91	13,037	120-277	

Photometrics



Light Loss Factor	1.00
Total Lumens	10,181
Mounting Height	30'
Max. Calculated Value	3.69Fc



Light Loss Factor	1.00
Total Lumens	13,037
Mounting Height	30'
Max. Calculated Value	4.65Fc

Model	DLC Prod. ID	Model	DLC Prod. ID
ORLF10LSELPC	PLBFFYDJJKZ9	ORLF14LSELPC	PLHR1DI3MHAQ

Warranty

- 5-Year limited warranty



origin

BY ATLAS
LIGHTING

PROJECT INFORMATION

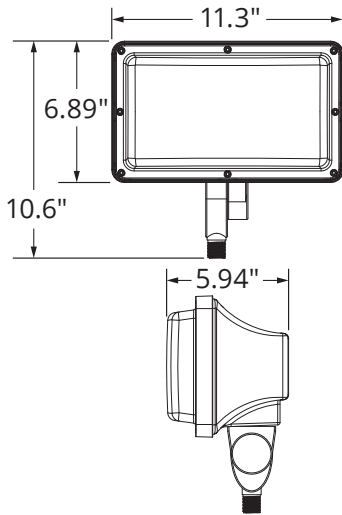
MODEL #:

UPC #:

Selectable Large Flood

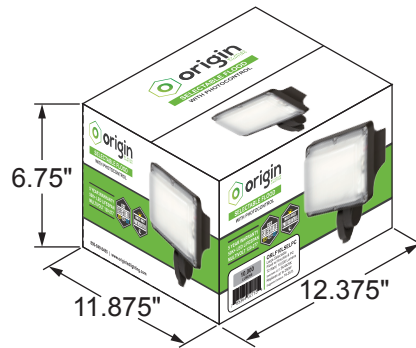
Dimensions

Product Dimensions



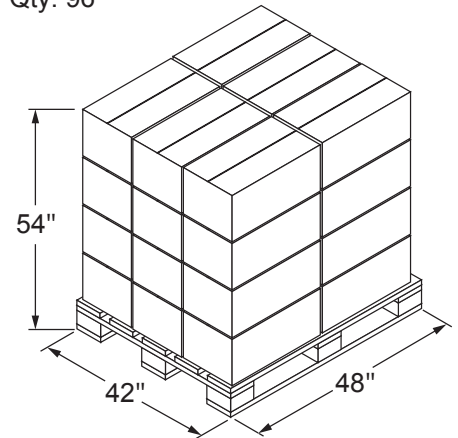
Carton Dimensions

Weight: 5.95 lbs.



Pallet Dimensions

Qty: 96



Installation

- Before starting make sure that the power is disconnected.
- Unpack fixture and ensure that there are no damaged parts.
- Pass the wires from the knuckle into the tenon post top.
- Make connections as seen below. Black to Black, White to White, and Green to Green.
- The fixture can be aimed using the tilting motion of the knuckle and the rotating motion of the knuckle on the tenon.
- Once the desired angle is achieved tighten back the securing screw.
- The knuckle is secured to the tenon by tightening the 2 grub screws on the side.

