

LED Lighting Fixture

SAVE THESE INSTRUCTIONS



BEFORE YOU BEGIN

Read and follow all safety instructions

WARNING

RISK OF FIRE, EXPLOSION AND ELECTRIC SHOCK

- This product should be installed, inspected, and maintained by a qualified electrician only, in accordance with the NEC (National Electric Code) and all local codes.
- Turn off electrical power before inspection, installation or removal.
- Use only UL (or other NRTL) approved wire for input/output connections.
- Minimum size 18 AWG or 14 AWG for continuous runs.
- Make sure LEDs and drivers are cool to touch when performing maintenance.
- Make sure the supply voltage is the same as the rated voltage of the luminaire.
- Do not install in a hazardous atmosphere, except where the ambient temperature does not exceed the rated operating temperature of the fixture.
- Keep tightly closed when in operation



Prepare Electrical Wiring



Electrical Requirements

- The LEDdriver must be supplied with 120 to 277V, 50/60 Hz and connected to an individual, properly grounded branch circuit protected by a 20 Ampere circuit breaker. Use min. 75°C supply.

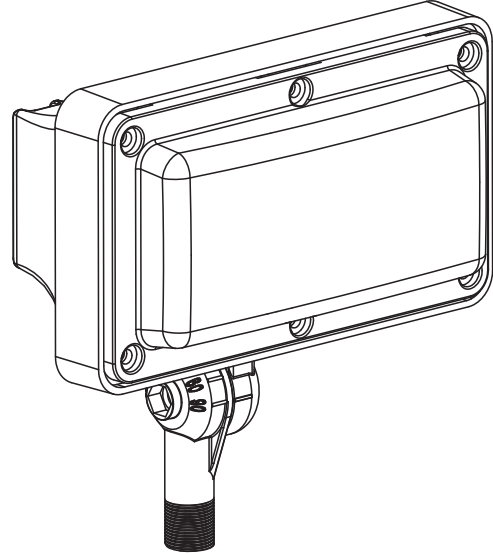


Grounding Instructions

- The grounding and bonding of the overall system shall be done in accordance with NEC Article 600 and local codes

LED Small Selectable Flood Light

ORSF Series



Tools Required:
Crescent Wrench
Wire Strippers
Wire Cutters

- Before starting make sure that the power is disconnected.
- Unpack fixture and ensure that there are no damaged parts.
- Attach fixture to outdoor box cover, routing the fixture wires into the junction box. Connect fixture cables as seen below. Black to Black, White to White, Green to Green.
- Aim fixture by loosening the bolt on the arm, and reposition to the desired angle. Tighten the bolt.

Standard Wiring Diagram

