



MODEL #: \_\_\_\_\_  
 UPC #: \_\_\_\_\_

# Medium Wall Pack



## Specifications

### Electrical Specifications

- Input Wattage: 45W - 99W
- Efficacy: up to 139 LpW
- AC Input: 120/208/240/277 V
- Driver: Constant current, Class 2, 120-277VAC 50/60Hz
- Dimming: 0-10V

### Lighting Specifications

- Total Lumens: 6,178 - 13,571
- Color Temperature: 4000K
- Color Rendering Index: 80
- BUG Rating:

Model	BUG Rating	Model	BUG Rating
<b>ORWP5L4K</b>	B1-U3-G3	<b>ORWP10L4K</b>	B2-U5-G5

Model	Watts	Lumens	Volts	Color Temp.
<b>ORWP5L4K</b>	45	6,178	120-277	4000K
<b>ORWP10L4K</b>	99	13,571	120-277	4000K

### Housing

- Die-cast aluminum housing
- UV stabilized power coated finish
- Color: Bronze
- Lifespan: 50,000 hours

### Lens

- Polycarbonate lens

### Listings

- UL/cUL standards for wet locations
- DLC Premium qualified luminaire, eligible for rebates from DLC member utilities.

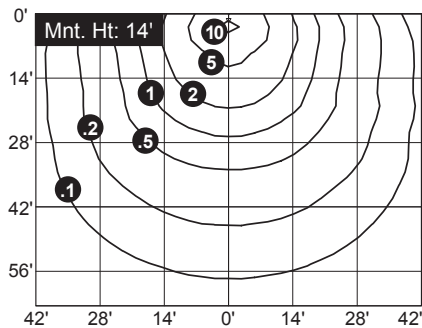
Model	DLC Prod. ID	Model	DLC Prod. ID
<b>ORWP5L4K</b>	PLN90FKPZADG	<b>ORWP10L4K</b>	PLFYC3LKPNGE

### Warranty

- 5-Year limited warranty

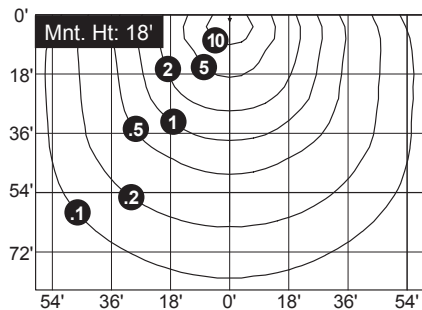
## Photometrics

### ORWP5L4K



Light Loss Factor	1.00
Total Lamp Lumens	6178
Mounting Height	14'
Max. Calculated Value	10.86Fc

### ORWP10L4K



Light Loss Factor	1.00
Total Lamp Lumens	13571
Mounting Height	18'
Max. Calculated Value	14.23Fc



# origin

BY ATLAS  
LIGHTING

PROJECT INFORMATION

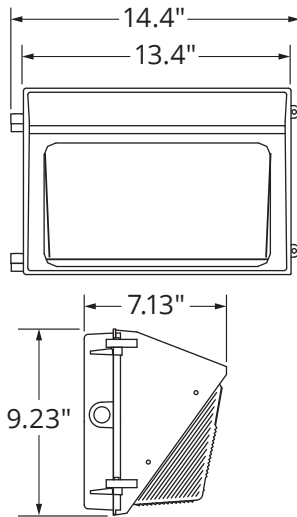
MODEL #:

UPC #:

## Medium Wall Pack

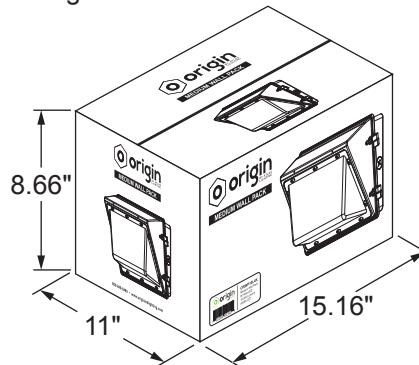
### Dimensions

#### Product Dimensions



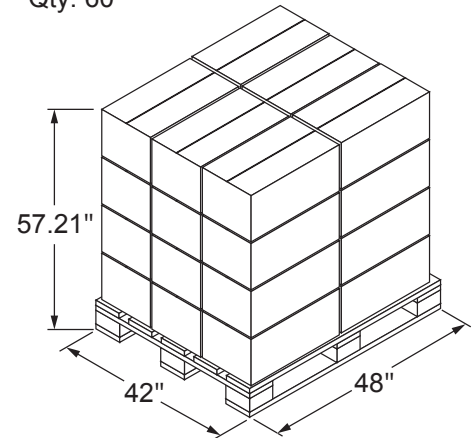
#### Carton Dimensions

Weight: 6.3 lbs.



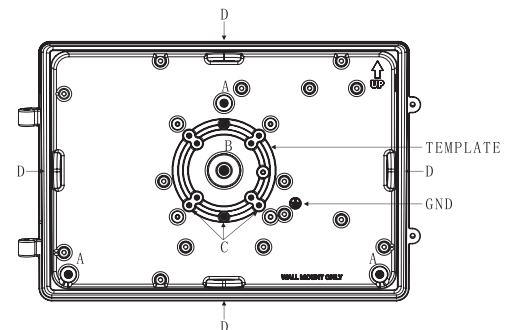
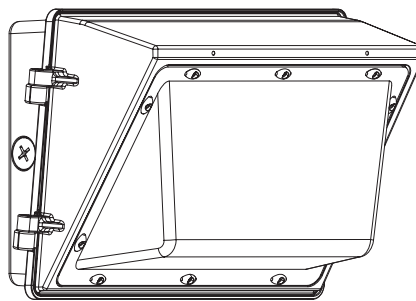
#### Pallet Dimensions

Qty: 60



### Installation

1. Open the fixture by loosening the 2 tamper-proof screws in the side. Disconnect the LED module power leads from the led driver and remove the LED assembly. Do not drop or mishandle the LED assembly.
2. Prepare the back plate for mounting by drilling or knocking out the appropriate holes.
3. Line up the back plate in desired location and mount securely. Gaskets are provided for a weather tight seal between the template and the junction box.
4. Reattach the LED driver module to the back plate. Splice the branch circuit power leads to the fixture power leads as seen below.
5. Reattach the LED module power leads to the driver and replace the LED assembly using the provided tamper-proof screws.



#### MOUNTING:

The back plate has a cast-in drill and knock-out template to match any standard recessed junction box, three 5/16" knockouts for mounting holes A and three 1/2" NPS tapped holes D for surface conduit or photocontrol unit.

A – 5/16" dia. Knockouts

B – 9/16" dia. Knockouts

C – Knockouts for #10 screw

D – 1/2" NPS tapped holes.