



## PROJECT INFORMATION

JOB NAME	
FIXTURE TYPE	Selectable Sports Light
CATALOG NUMBER	SPTS
APPROVED BY	

## SPECIFICATIONS

### Construction:

- Rugged die-cast aluminum housing.
- Driver is separated from light engines increasing driver and LED life.
- Housing shroud is formed aluminum.
- Mounting Brackets are 12 ga formed steel.
- Fixtures are finished with polyester powder coat finishing process to withstand extreme weather changes without cracking or peeling.
- High-efficacy LEDs mounted to metal-core circuit board to maximize heat dissipation for long life

### Optical System:

- State-of-the-Art sports flood optics available in 4 unique NEMA flood distributions.
- Glare shield visor is formed aluminum to reduce high angle glare.
- Available in 5000K.
- Minimum CRI of 70.

### Electrical:

- Universal Voltage (120-277 VAC) Input 50/60 Hz or High Voltage (347-480 VAC).
- 0-10V dimming (10% - 100%) standard.
- Operating temperature: -45°C to +45°C (-40°F to +113°F).
- L70 Calculated Life: >100k Hours<sup>1</sup>
- High-performance driver features overvoltage, under-voltage, short-circuit and over temperature protection.
- Field replaceable 20kV surge protection device meets a minimum Category C Low operation (per ANSI/IEEE C62.41.2).

### Installation:

- Heavy duty yoke mounting to standard sports bracket with 3/4" bolt
- Rear handle design for ease of installation and carrying
- Stepless horizontal and vertical adjustment for precise aiming. Optional laser sight for enhanced aiming accuracy.

### Listings:

- Listed to UL 1598 and UL 8750.
- Suitable for wet locations.
- IP66 rated Luminaire per IEC 60598-1.
- DesignLights Consortium qualified luminaire, eligible for rebates from DLC member utilities. *See chart on last page for qualifying products.*
- Meets Buy American Act requirements.

### Warranty:

- Five-year limited warranty



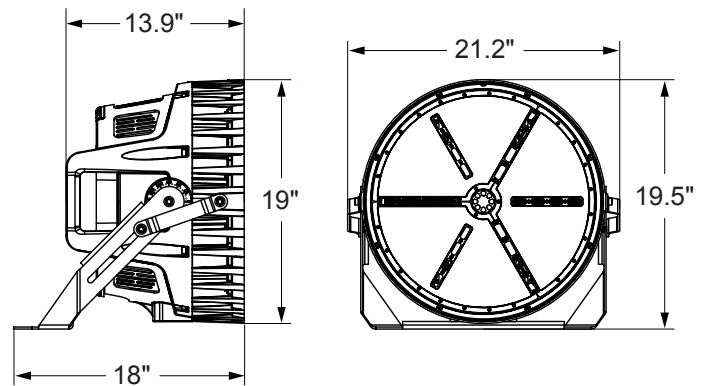
BUY AMERICAN



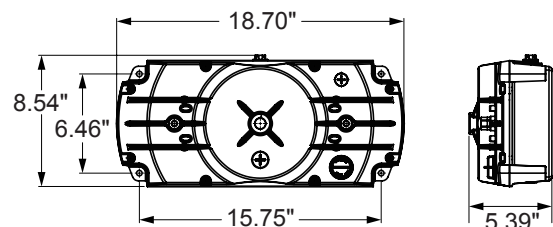
COMPLIANT\*

## DIMENSIONS

Weight: 51 lbs  
EPA: 2.8



## REMOTE DRIVER DIMENSIONS



Rebates and Incentives are available in many areas.  
Contact an Atlas Representative for more information.

\*The majority of Atlas Lighting Products are assembled in USA facilities by an American Workforce utilizing both Domestic and Foreign components. Meets Buy American requirements within the ARRA.

<sup>1</sup>LED Life Span Based Upon LM-80 Test Results

### ORDERING INFORMATION

SPTS	75-110L	3		50	
PRODUCT SERIES	LUMEN PACKAGE	DISTRIBUTION	VOLTAGE	COLOR TEMP.	OPTIONS
SPTS = Selectable Sports Light	75-110L = 75,000-110,000 Selectable Lumens	3 = NEMA 3x3 4 = NEMA 4x4 5 = NEMA 5x5 6 = NEMA 6x6	Blank = 120-277 4 = 347/480	50 = 5000K	RD35 = Remote Driver with 35' Cord RD60 = Remote Driver with 60' Cord SYN = Synapse Integral Controller* *Requires 661412 or 685209

### ACCESSORY ORDERING INFORMATION

		PART NUMBER	DESCRIPTION	FINISH	STD. PKG.
		856374	Laser Sight Kit with battery	Black	1
		831029	Glare Shield Visor	Black	1
		831030	Tenon Top Adapter	Black	1
		831031	35' Cord for Remote Driver	Black	1
		831032	60' Cord for Remote Driver	Black	1
		661412	Synapse Indoor Gateway	Black	1
		685209	Synapse Central Base Station	Gray	1
		743160	Synapse Remote Access	n/a	1

### PERFORMANCE DATA

UNIT	LUMEN PACKAGE	WEIGHT	EPA	DISTRIBUTION	CRI	5000K CCT		WATTS	REPLACES UP TO	
						DELIVERED LUMENS	EFFICACY (LPW)			
SPTS	75-110L	51 lbs.	2.8	3x3	70	68,526	149	433	1000W MH	
				4x4	70	77,401	146	469		
				5x5	70	74,180	153			
				6x6	70	72,855	146			
		51 lbs.	2.8	3x3	70	81,100	152	532	1500W MH	
				4x4	70	92,329	140	584		
				5x5	70	88,487	148			
				6x6	70	86,906	139			
		51 lbs.	2.8	2.8	3x3	70	103,622	147	752	-
					4x4	70	115,561	148	783	
					5x5	70	110,752	136		
					6x6	70	108,774	137		

### ELECTRICAL DATA\*

LUMENS	WATTS	120V	208V	240V	277V	347V	480V
75L	469	3.91	2.25	1.95	1.69	1.35	0.98
90L	584	4.87	2.81	2.43	2.11	1.68	1.22
110L	783	6.53	3.76	3.26	2.83	2.26	1.63

\*Electrical data at 25C (77F). Actual wattage may differ by +/-10%.

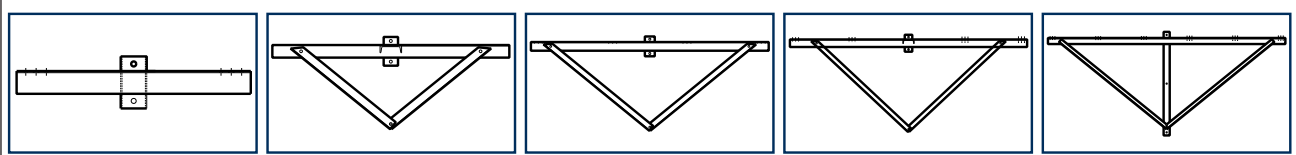
### RECOMMENDED LUMEN MAINTENANCE<sup>1</sup>

AMBIENT TEMP	LUMEN MULTIPLIER				
	Initial <sup>1</sup>	25K hrs. <sup>1</sup>	50K hrs. <sup>1</sup>	75K hrs. <sup>2</sup>	100K hrs. <sup>2</sup>
0°C - 25°C	100%	100%	99%	98%	98%

1 - Lumen maintenance values at 25°C are calculated per TM-21 based on LM-80 data and in-situ luminaire testing.

2 - In accordance with IESNA TM-21-11, Calculated Values represent time durations that exceed six times NA LM-80-08 total test duration (in hours) for the device under testing ((DUT) i.e. the packaged LED chip).

## BRACKETS



PART NUMBER	DESCRIPTION	FINISH	STD. PKG.
500-001G	2 Light Sports Light Wood Pole Bracket	Galvanized	1
500-002G	3 Light Sports Light Wood Pole Bracket	Galvanized	1
500-003G	4 Light Sports Light Wood Pole Bracket	Galvanized	1
500-004G	5 Light Sports Light Wood Pole Bracket	Galvanized	1
500-005G	6 Light Sports Light Wood Pole Bracket	Galvanized	1

## DLC PRODUCT INFORMATION

UNIT	5000K CCT		CLASSIFICATION
	DLC PRODUCT ID		
	120-277V	480V	
SPTS75-110L350	S-2CRXKV	S-2CRXKV	Premium
SPTS75-110L450	S-PZT5RR	S-PZT5RR	Premium
SPTS75-110L550	S-DBVC7F	S-DBVC7F	Premium
SPTS75-110L650	S-TZZOFP	S-TZZOFP	Premium