



Square Straight Aluminum Pole

SSA

PROJECT INFORMATION

JOB NAME	
FIXTURE TYPE	Square Straight Aluminum Pole
CATALOG NUMBER	
APPROVED BY	

SPECIFICATIONS

Pole Shaft:

The pole shaft will be constructed of seamless extruded tube of 6XXX Series Aluminum Alloy per the requirements of ASTM B221. The shaft assembly shall be full-length heat treated after base weld.

Hand Hole:

4"-5" bottom Squares - 2" x 4" Handhole with square Lap Style Aluminum Door and two (2) Stainless Steel Self-Tapping Attaching Screws. A Grounding Provision incorporating a tapped 1/4"-20NC Grounding Provision is provided opposite the Handhole.

6"+ bottom Square - 3" x 5" Handhole with square Lap Style Aluminum Door and two (2) Stainless Steel Self-Tapping Attaching Screws. A Grounding Provision incorporating a tapped 1/4"-20NC Grounding Provision is provided opposite the Handhole.

Base:

4-Bolt Cast Aluminum Base Flange of Alloy 356-T6 with Aluminum Bolt Covers (Alloy 356-F) and Stainless Steel Hex Head Attaching Screws.

Anchor Bolts:

Anchorage Kit will include four (4) L-shaped Steel Anchor Bolts conforming to AASHTO M314-90 Grade 55. Ten inches (10") of threaded end will be galvanized per ASTM A153. Kits will contain four (4) Hex Nuts four (4) Lock Washers, and four (4) Flat Washers (all components Galvanized Steel). A bolt circle template will be provided.

Finishes:

Baked-on polyester-powder finish provides one year limited warranty.

Ground Lug:

Ground lug is standard.

Pole Vibration Damper:

A pole vibration damper is recommended in open terrain areas of the country where low steady state winds are common.

If determined necessary a top-mount, field installed First Mode Vibration Damper will be provided. Customer specification of the damper is available.

Listings:

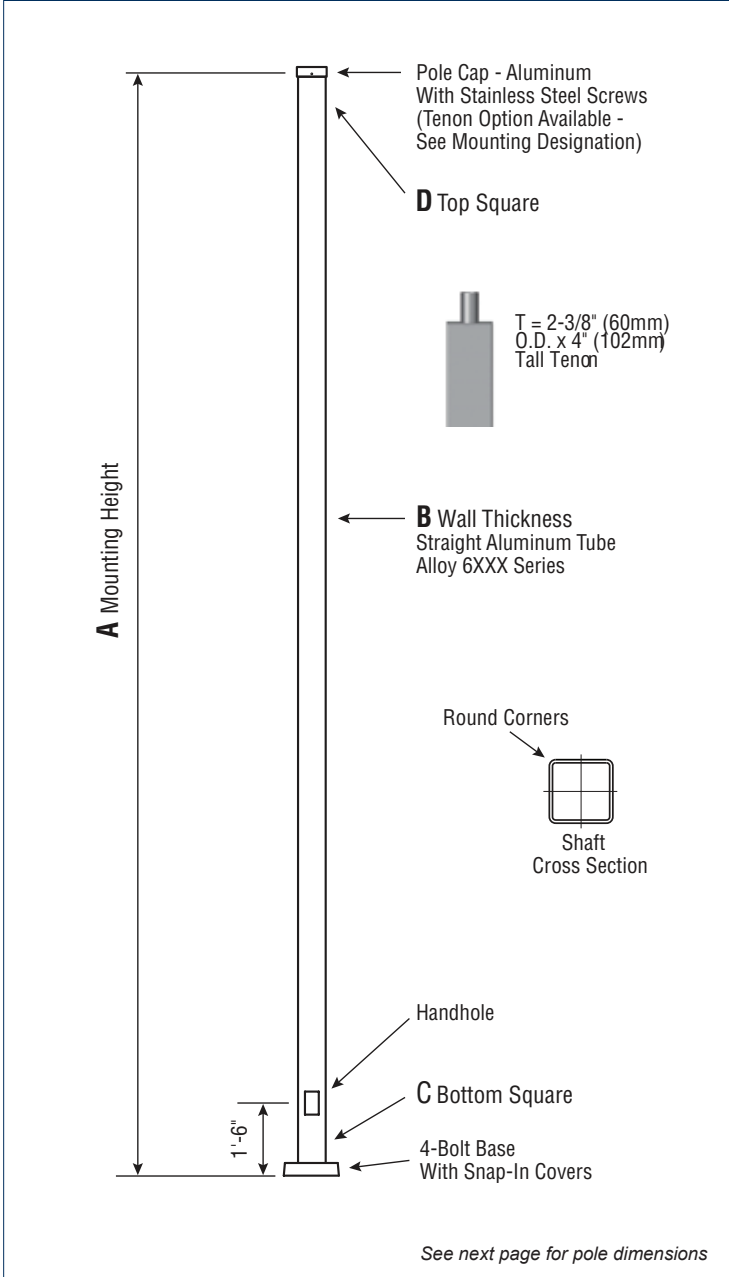
UL Listed, BAA/TAA Compliant

Quick Ship:

Part numbers highlighted in gray are available for Atlas' quick ship pole program. Quick ship poles feature a reduced lead time shipping in just 2-4 weeks.



DIMENSIONS



ORDERING INFORMATION

S	S	A	20	4	11		BZA		
SHAPE	SHAFT	STRUCTURE	HEIGHT (FT)*	DIAMETER/WIDTH (IN)*	WALL THICKNESS (IN)	BASE DETAIL	COLOR	DROP SHIP	DRILL PATTERN
S = Square	S = Straight	A = Aluminum	10 = 10 ft 12 = 12 ft 14 = 14 ft 15 = 15 ft 16 = 16 ft 18 = 18 ft 20 = 20 ft 25 = 25 ft 30 = 30 ft 35 = 35 ft	4 = 4 in 5 = 5 in 6 = 6 in	11 = 0.125 07 = 0.188 25 = 0.250	Blank = Anchor *See below for correlation between pole diameter and bolt circle	BZA = Bronze WT = White SL = Silver BK = Black	DSL B = Drop Ship (Bolts ship separately)	1 = 1 2 = 2 @ 90 3 = 2 @ 180 4 = 3 @ 90 5 = 4 @ 90
Quick Ship part numbers highlighted in gray (reduced lead time shipping in just 2-4 weeks)									

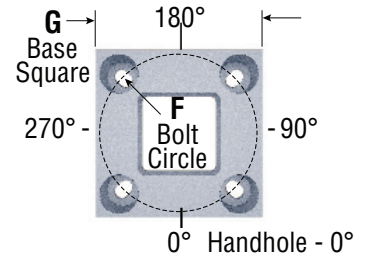
For tenon mount consult factory. Tenon is sold as an accessory.

POLE DIMENSIONS

C - BOTTOM DIA.	D - TOP DIA.	F - BOLT CIR. DIA.	G - BASE SQ.	H - BOLT PROJ.	I - BOLT SIZE
4	4	8.5-9.5	9.875	1.5	.75x17x3
5	5	10.5-11.5	11.125	2	.75x30x3
6	6	12-13	12.75	2.25	1x36x4

Note: Base plate illustrations may change without notice. Do not use for setting anchor bolts. Consult factory for the appropriate anchor bolt template. Dimensions in Inches

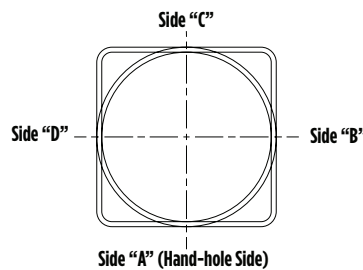
* 1" x 36" x 4" Anchor Bolts can be specified for 6" Bottom diameter poles



WALL THICKNESS		BOTTOM DIAMETER		BASE STYLE	
B	.125"	4	4"	4	4 - Bolt Base
D	.188"	5	5"		
F	.250"	6	6"		

MOUNTING DESIGNATION

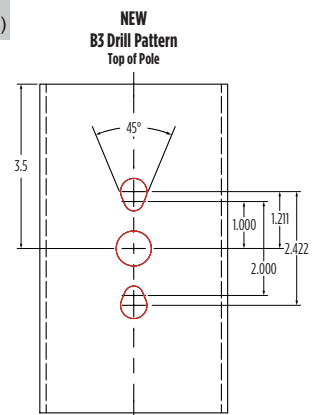
SIDES	A	B	C	D
Hand-hole	X			
Single	X			
D180		X		X
D90	X			X
DN901				
T90	X	X		X
TN1202				
Q90	X	X	X	X
QN903				
Single FBO	X			
Double FBO		X		X



ANCHOR BOLT KIT ORDERING INFORMATION

PART NUMBER	DESCRIPTION
897200	AB 3/4x17 L-HOOK STL FULL GALV
897203	AB 3/4x30 L-HOOK STL FULL GALV
863338HD	AB 3/4x17 L-HOOK STL FULL GALV
894936HD	AB 3/4x30 L-HOOK STL FULL GALV
900158HD	AB GAL 1x36x4 L-HOOK STL FULL GALV
860170HD	AB GAL 1x36x9 L-HOOK STL FULL GALV

Quick Ship part numbers highlighted in gray (2-4 weeks)



Side Drill Mount

For Side Drill Mount applications specify luminaire type, quantity and orientation. A luminaire drilling template must be supplied at time of order.



Tenon Mount

For Tenon Mount applications specify both Tenon diameter (2.375", 2.875", 3.5", etc.) and length (3", 4", etc.).

Actual performance data can vary depending on operating conditions. Specifications are subject to change without notice.



POLE SELECTION

NOMINAL MOUNTING HEIGHT (FT)	CATALOG NUMBER	POLE DIMENSIONS			MAXIMUM LOADING				
		BASE O.D. (IN)	WALL THK (IN)	TOTAL LUM. WEIGHT (LBS)	90 MPH	100 MPH	110 MPH	120 MPH	130 MPH
					EPA (FT ²)	EPA (FT ²)	EPA (FT ²)	EPA (FT ²)	EPA (FT ²)
10	SSA10411	4	0.125"	100	17.6	13.8	12.8	10.4	8.6
10	SSA10407	4	0.188"	100	26.2	20.8	19.4	16.0	13.2
12	SSA12411	4	0.125"	100	13.8	10.6	9.8	7.8	6.2
12	SSA12407	4	0.188"	100	21.0	16.4	15.2	12.4	10.2
12	SSA12507	5	0.188"	100	35.0	27.6	25.6	20.8	17.2
14	SSA14411	4	0.125"	85	10.8	8.2	7.6	5.8	4.6
14	SSA14407	4	0.188"	100	17.0	13.2	12.0	9.6	7.8
14	SSA14507	5	0.188"	100	28.6	22.4	20.6	16.6	13.6
15	SSA15411	4	0.125"	70	9.8	7.2	6.6	5.0	3.8
15	SSA15407	4	0.188"	100	15.4	11.8	10.8	8.6	6.8
15	SSA15507	5	0.188"	100	26.0	20.2	18.6	15.0	12.0
16	SSA16411	4	0.125"	55	8.8	6.4	5.8	4.4	3.2
16	SSA16407	4	0.188"	100	13.8	10.6	9.6	7.6	6.0
16	SSA16507	5	0.188"	100	23.8	18.4	16.8	13.4	10.8
18	SSA18411	4	0.125"	25	6.8	4.8	4.2	3.0	2.0
18	SSA18407	4	0.188"	80	11.2	8.4	7.6	5.8	4.4
18	SSA18425	4	0.250"	100	15.2	11.6	10.6	8.4	6.6
18	SSA18507	5	0.188"	100	19.4	14.8	13.4	10.4	8.2
20	SSA20411	4	0.125"	40	5.0	3.4	2.8	1.8	-
20	SSA20407	4	0.188"	50	9.0	6.6	5.8	4.2	3.0
20	SSA20425	4	0.250"	90	12.4	9.4	8.4	6.4	4.8
20	SSA20507	5	0.188"	100	15.8	11.8	10.6	8.0	6.0
20	SSA20525	5	0.250"	100	22.0	16.8	15.2	11.8	9.2
20	SSA20607	6	0.188"	100	24.8	18.8	17.0	13.2	10.2
20	SSA20625	6	0.250"	100	34.2	26.4	24.2	19.0	15.2
25	SSA25607	5	0.188"	45	9.4	6.2	5.4	3.4	1.8
25	SSA25525	5	0.250"	65	14.0	10.0	8.8	6.2	4.4
25	SSA25607	6	0.188"	60	15.4	10.8	9.4	6.6	4.2
25	SSA25625	6	0.250"	100	22.4	16.4	14.8	11.0	8.0
30	SSA30607	6	0.188"	40	8.8	5.0	4.0	1.6	-
30	SSA30625	6	0.250"	25	14.4	9.6	8.4	5.2	3.0
35	SSA35625	6	0.250"	70	8.0	4.0	3.0	-	-

Effective Projected Area (EPA) in square feet. EPA's calculated using wind velocity (mph) indicated in accordance with 2009 AASHTO LTS-5 using a 25 year design life. Maximum EPA is based on the luminaire weight shown. Increased luminaire weight may reduce the maximum EPA. If weight is exceeded, or if other design life or code is required, please consult the factory.

EPA INFORMATION

All poles are guaranteed to meet the EPA requirements listed. Pole manufacturer is not responsible if a pole order has a lower EPA rating than the indicated wind-loading zone where the pole will be located. **CAUTION:** This guarantee does not apply if the pole/bracket/fixture combination is used to support any other items such as flags, pennants, or signs, which would add stress to the pole. Pole manufacturer cannot accept responsibility for harm or damage caused in these situations.

NOTE: Pole calculations include a 1.3 gust factor over steady wind velocity. Example: poles designed to withstand 80 MPH steady wind will withstand gusts to 104 MPH. EP As are for locations 100 miles a way from hurricane ocean lines. Consult Atlas for other areas. Note: Hurricane ocean lines are the Atlantic and Gulf of Mexico coastal areas. For applications in Canada and areas using code requirements other than AASHTO LTS-3-94, consult factory.

Actual performance data can vary depending on operating conditions. Specifications are subject to change without notice.



POLE SELECTION: FLORIDA BUILDING CODE

NOMINAL MOUNTING HEIGHT (FT)	CATALOG NUMBER	POLE DIMENSIONS			MAXIMUM LOADING						
		BASE O.D. (IN)	WALL THK (IN)	TOTAL LUM. WEIGHT (LBS)	90 MPH	100 MPH	110 MPH	120 MPH	120 MPH	120 MPH	130 MPH
					EPA (FT ²)	EPA (FT ²)	EPA (FT ²)	EPA (FT ²)	EPA (FT ²)	EPA (FT ²)	EPA (FT ²)
10	SSA10411	4	0.125	251	11.2	9.3	7.8	6.5	5.5	4.7	4.0
10	SSA10407	4	0.188	300	17.5	14.6	12.4	10.5	9.0	7.8	6.7
12	SSA12411	4	0.125	174	8.8	7.2	5.8	4.8	3.9	3.2	2.6
12	SSA12407	4	0.188	249	13.8	11.4	9.5	8.0	6.7	5.7	4.8
12	SSA12507	5	0.188	300	26.7	22.2	18.7	15.9	13.6	11.7	10.1
14	SSA14411	4	0.125	127	6.8	5.4	4.3	3.4	2.6	2.0	1.5
14	SSA14407	4	0.188	182	11.1	9.1	7.4	6.1	5.0	4.1	3.4
14	SSA14507	5	0.188	300	21.4	17.7	14.7	12.3	10.3	8.7	7.3
15	SSA15411	4	0.125	111	6.0	4.6	3.6	2.7	2.0	1.5	1.0
15	SSA15407	4	0.188	158	10.0	8.1	6.5	5.3	4.3	3.5	2.8
15	SSA15507	5	0.188	300	19.2	15.7	13.0	10.8	9.0	7.4	6.2
16	SSA16411	4	0.125	97	5.1	3.9	2.9	2.1	1.5	0.9	-
16	SSA16407	4	0.188	139	8.9	7.1	5.7	4.5	3.6	2.8	2.2
16	SSA16507	5	0.188	284	17.2	14.0	11.4	9.4	7.7	6.3	5.1
18	SSA18411	4	0.125	76	3.6	2.6	1.7	1.0	-	-	-
18	SSA18407	4	0.188	110	6.9	5.3	4.1	3.1	2.3	1.6	1.0
18	SSA18425	4	0.250	139	9.8	7.8	6.3	5.0	3.9	3.1	2.3
18	SSA18507	5	0.188	224	13.8	11.0	8.8	7.0	5.6	4.3	3.3
20	SSA20411	4	0.125	62	2.4	1.4	0.7	-	-	-	-
20	SSA20407	4	0.188	89	5.2	3.8	2.8	1.9	1.2	0.6	-
20	SSA20425	4	0.250	112	7.8	6.0	4.7	3.5	2.6	1.9	1.2
20	SSA20507	5	0.188	181	11.0	8.6	6.6	5.0	3.7	2.7	1.8
20	SSA20525	5	0.250	232	15.9	12.7	10.2	8.1	6.5	5.1	3.9
20	SSA20607	6	0.188	300	14.8	11.5	8.9	6.8	5.1	3.7	2.6
20	SSA20625	6	0.250	300	21.7	17.4	14.0	11.3	9.0	7.2	5.6
25	SSA25507	5	0.188	115	5.6	3.7	2.2	1.0	-	-	-
25	SSA25525	5	0.250	147	9.3	6.8	4.9	3.4	2.1	1.1	-
25	SSA25607	6	0.188	203	7.7	5.2	3.2	1.7	-	-	-
25	SSA25625	6	0.250	262	12.6	9.4	6.9	4.8	3.2	1.8	0.6
30	SSA30625	6	0.250	181	6.4	3.8	1.8	-	-	-	-

Effective Projected Area (EPA) in square feet. EPA's calculated using wind velocity (mph) indicated in accordance with 2009 AASHTO LTS-5 using a 25 year design life. Maximum EPA is based on the luminaire weight shown. Increased luminaire weight may reduce the maximum EPA. If weight is exceeded, or if other design life or code is required, please consult the factory.

EPA INFORMATION

All poles are guaranteed to meet the EPA requirements listed. Pole manufacturer is not responsible if a pole order has a lower EPA rating than the indicated wind-loading zone where the pole will be located. **CAUTION:** This guarantee does not apply if the pole/bracket/fixture combination is used to support any other items such as flags, pennants, or signs, which would add stress to the pole. Pole manufacturer cannot accept responsibility for harm or damage caused in these situations.

NOTE: Pole calculations include a 1.3 gust factor over steady wind velocity. Example: poles designed to withstand 80 MPH steady wind will withstand gusts to 104 MPH. EP As are for locations 100 miles a way from hurricane ocean lines. Consult Atlas for other areas. Note: Hurricane ocean lines are the Atlantic and Gulf of Mexico coastal areas. For applications in Canada and areas using code requirements other than AASHTO LTS-3-94, consult factory.

Actual performance data can vary depending on operating conditions. Specifications are subject to change without notice.