



Classic Series Large Wall Light

PROJECT INFORMATION

JOB NAME	
FIXTURE TYPE	Classic Large Wall Light
CATALOG NUMBER	
APPROVED BY	

SPECIFICATIONS

Construction:

Rugged traditional aluminum die cast housing provides proven environmental protection for LED modules. Traditional fixture designs provide a familiar look and standard installation requirements. Retaining this look allows the ability to upgrade fixtures gradually, while retaining the same overall fixture appearance throughout a facility.

Glare Free:

Positioning of the LED modules within the housing result in light directed to desired locations and eliminates offensive light.

Lens:

Lens assembly is designed to provide high efficiency and to target the light where needed to satisfy outdoor lighting requirements.

Positioning of the LEDs (along with Patent Pending thermal management system) results in the light being directed to desired locations eliminating glare and offensive light.

Listings:

Luminaire is certified to UL/cUL Standards for Wet Locations DesignLights Consortium qualified luminaire, eligible for rebates from DLC member utilities. ²See chart on other next page for qualifying products.

AC Input: 120/208/240/277V 347/480V

Lifespan: 200,000+ hrs.¹

Driver:

Constant current, Class 2, 120-277 VAC, 50-60 Hz
High Efficiency – min. 86%

Selectable Lumens and CCT:

Atlas selectable wall lights are quick and easy to select and set up. Selectable lumens range in 4,000 (30W), 7,500 (57W) / 11,000 (86W), 13,000 (102W) and 10,000 (73W), 15,000 (112W), 20,000 (156W)
Selectable CCTs: 4000K, 4500K, and 5000K.

LEDs:

Available in 3000K, 4000K, 4500K and 5000K CCT Fixed | 4000K, 4500K, 5000K CCT Selectable
Atlas LEDs provide higher lumen output, greater energy efficiency and more reliable fixture performance.

Reduced Glare:

Positioning of the LED modules within the housing result in light directed to desired locations and reduces offensive light.

Testing:

Atlas LED luminaires have been tested by an independent laboratory in accordance with IESNA LM-79 & LM-80.

Warranty: Five-year limited warranty

Installation:

Fixture retains the same knock-out sizes and positions as previous models, reducing wiring costs.

Emergency Back-up: For factory installed Emergency Back-Up add suffix EB to part number.

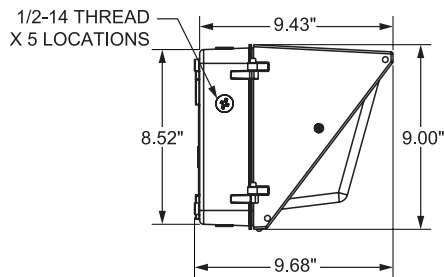
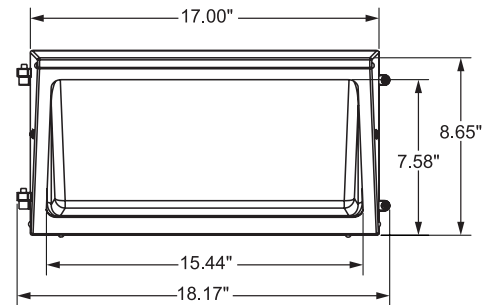
¹LED Life Span Based Upon LM-70 Test Results

²Emergency Back-Up requires larger back housing. Contact Atlas for more details.

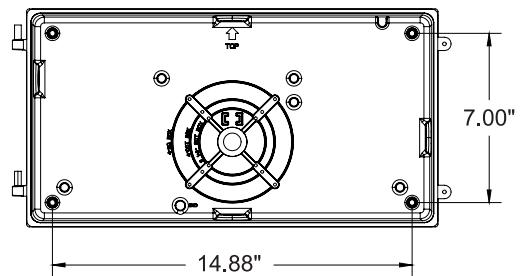


DIMENSIONS

Weight: 9.25 lbs.



MOUNTING DETAIL



Rebates and Incentives are available in many areas.
Contact an Atlas Representative for more information.

*The majority of Atlas Lighting Products are assembled in USA facilities by an American Workforce utilizing both Domestic and Foreign components. Meets Buy American requirements within the ARRA.



Classic Series
Large Wall Light



ORDERING INFORMATION

WLD	S	4-13L					
PRODUCT SERIES	SELECTABLE	LUMEN PACKAGE	COLOR TEMP.	CONTROLS	VOLTAGE	FIXTURE COLOR	OPTIONS
WLD = Large Wall Light	blank = Fixed	64LED = 64 Watts 86LED = 86 Watts 120LED = 120 Watts	Blank = 4500K 3K = 3000K 4K = 4000K 5K = 5000K	Blank = Dimming (0-10V) PC = 120V Photocontrol PM = 120-277V Photocontrol PH = 480V Button Photocontrol	Blank = 120-277 4 = 347/480* <i>*LP or PH only</i>	Blank = Bronze WT = White* BK = Black* <i>*optional with adder</i>	EB = Emergency Back-up* SP = Surge Protection <i>*PC option not available with Emergency on WLD510-20L</i>
	S = Selectable	4-13L = 4,000, 7,500, 11,000 13,000 Lumens Selectable 10-20L = 10,000 - 20,000 Lumens Selectable	blank = Selectable (4000K, 4500K, 5000K)	blank = 120-277V Photocontrol Installed LP = Less Photocontrol PH = 480V Button Photocontrol	Blank = 120-277 4 = 347/480* <i>*LP or PH only</i>		

PERFORMANCE DATA

FIXED

UNIT	CRI	3000K CCT		4000K CCT		4500K CCT		5000K CCT		WATTS	BUG RATING	REPLACES UP TO
		DELIVERED LUMENS	EFFICACY (LPW)	DELIVERED LUMENS	EFFICACY (LPW)	DELIVERED LUMENS	EFFICACY (LPW)	DELIVERED LUMENS	EFFICACY (LPW)			
64LED	80	7,168	117	7,168	117	7,168	117	7,662	126	62	B2-U3-G3	400W MH
86LED	80	9,120	109	9,120	109	9,120	109	9,120	109	84	B2-U4-G4	400W MH
120LED	80	12,510	106	13,170	114	13,170	114	13,170	114	118	B3-U4-G4	400W MH

SELECTABLE

LUMEN PACKAGE	CRI	Selectable 4000K CCT		Selectable 4500K CCT		Selectable 5000K CCT		WATTS	BUG RATING	REPLACES UP TO
		DELIVERED LUMENS	EFFICACY (LPW)	DELIVERED LUMENS	EFFICACY (LPW)	DELIVERED LUMENS	EFFICACY (LPW)			
4L - 13L	70	3,897	134	4,073	139	3,889	133	29	B2-U4-G4	400W MH
	70	7,688	135	8,034	141	7,672	134	57		
	70	11,136	130	11,638	136	11,113	130	86		
	70	12,891	126	13,472	138	12,864	126	102		
10L - 20L	80	9,883	134	10,151	138	9,566	131	73	B2-U4-G4	1000W MH
	80	14,744	132	15,144	135	14,271	127	112		
	80	19,447	124	19,975	133	18,823	121	156		

DLC PRODUCT INFORMATION

UNIT	3000K CCT		4000K CCT		4500K CCT		5000K CCT	
	DLC PRODUCT ID	CLASSIFICATION	DLC PRODUCT ID	CLASSIFICATION	DLC PRODUCT ID	CLASSIFICATION	DLC PRODUCT ID	CLASSIFICATION
FIXED								
WLD64LED	PLDHU776	Standard	PTKZCYS3	Standard	PATPE48EN	Standard	POLJ214Q	Standard
WLD86LED	n/a	n/a	n/a	n/a	n/a	n/a	n/a	n/a
WLD120LED	n/a	n/a	n/a	n/a	n/a	n/a	n/a	n/a

SELECTABLE

UNIT	DLC PRODUCT ID	CLASSIFICATION
WLDS4-13L	PH9T7MLJ	Standard
WLDS10-20L	S-S1XFNZ	Standard