



Classic Series
Medium Wall Light

PROJECT INFORMATION

JOB NAME	
FIXTURE TYPE	Medium Wall Light
CATALOG NUMBER	
APPROVED BY	

SPECIFICATIONS

Construction:

Rugged traditional aluminum die cast housing provides proven environmental protection for LED modules. Traditional fixture designs provide a familiar look and standard installation requirements. Retaining this look allows the ability to upgrade fixtures gradually, while retaining the same overall fixture appearance throughout a facility.

Glare Free:

Positioning of the LED modules within the housing result in light directed to desired locations and eliminates offensive light.

Lens:

Borosilicate glass lens assembly is designed to provide high efficiency and to target the light where needed to satisfy outdoor lighting requirements.

Positioning of the LEDs (along with Patent Pending thermal management system) results in the light being directed to desired locations eliminating glare and offensive light.

Thermal Management:

Atlas' Patent Pending exclusive Thermal Management System™ features a unique internal design that allows for lower operating temperatures which results in a brighter, whiter light, more stable color and longer LED and driver life.

Listings:

Luminaire is certified to UL/cUL Standards for Wet Locations DesignLights Consortium qualified luminaire, eligible for rebates from DLC member utilities. ²See chart on other next page for qualifying products.

AC Input: 120/208/240/277V 347/480V

Lifespan: 200,000+ hrs.¹

Driver:

Constant current, Class 2, 120-277 VAC, 50-60 Hz
High Efficiency – min. 88%
0-10 V Dimming

LEDs:

3000K, 4000K, 4500K, 5000K CCT Fixed |
4000K, 4500K, 5000K CCT Selectable
Atlas LEDs provide higher lumen output, greater energy efficiency and more reliable fixture performance.

Testing:

Atlas LED luminaires have been tested by an independent laboratory in accordance with IESNA LM-79 & LM-80.

Warranty: Five-year limited warranty

Installation:

Fixture retains the same knock-out sizes and positions as previous models, reducing wiring costs.

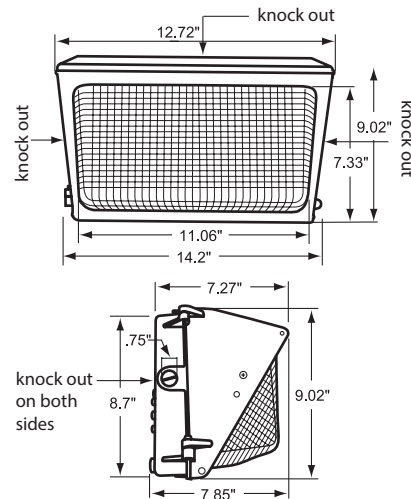
Emergency Back-up: For factory installed Emergency Back-Up add suffix EB to part number.

480 Volt: For 480V add suffix 4 to part number.

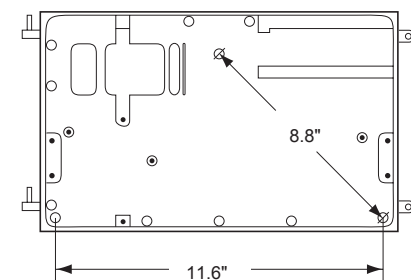


DIMENSIONS

Weight: 9.25 lbs.



MOUNTING DETAIL



¹LED Lifespan Based Upon LM-70 Test Results

Rebates and Incentives are available in many areas. Contact an Atlas Representative for more information.



Classic Series
Medium Wall Light



ORDERING INFORMATION

PRODUCT SERIES	SELECTABLE	LUMEN PACKAGE	COLOR TEMP.	CONTROLS	VOLTAGE	FIXTURE COLOR	OPTIONS
WLM = Medium Wall Light	blank = Fixed	43LED = 43 Watts 64LED = 64 Watts 80LED = 80 Watts	Blank = 4500K 3K = 3000K 4K = 4000K 5K = 5000K	Blank = Dimming (0-10V) PC = 120V Photocontrol PM = 120-277V Photocontrol PH = 480V Button Photocontrol	Blank = 120-277 4 = 347/480* <i>*LP or PH only</i>	Blank = Bronze WT = White* BK = Black* <i>*optional with adder</i>	EB = Emergency Back-up SP = Surge Protection
	S = Selectable	3-9L = 2,500, 5,500, 7,500, 9,000 Lumens Selectable	blank = Selectable (4000K, 4500K, 5000K)	blank = 120-277V Photocontrol Installed LP = Less Photocontrol PH = 480V Button Photocontrol			

PERFORMANCE DATA

FIXED												
UNIT	CRI	3000K CCT		4000K CCT		4500K CCT		5000K CCT		WATTS	BUG RATING	REPLACES UP TO
		DELIVERED LUMENS	EFFICACY (LPW)	DELIVERED LUMENS	EFFICACY (LPW)	DELIVERED LUMENS	EFFICACY (LPW)	DELIVERED LUMENS	EFFICACY (LPW)			
43LED	80	3,908	96	5,276	122	5,726	122	5,308	122	44	B1-U3-G3	175W MH
64LED	80	5,699	92	5,699	92	6,793	113	6,793	113	62	B1-U4-G3	400W MH
80LED	80	8,615	109	8,615	109	8,615	109	8,875	113	79	B2-U4-G4	400W MH

SELECTABLE												
UNIT	CRI	Selectable 4000K CCT		Selectable 4500K CCT		Selectable 5000K CCT		WATTS	BUG RATING	REPLACES UP TO		
		DELIVERED LUMENS	EFFICACY (LPW)	DELIVERED LUMENS	EFFICACY (LPW)	DELIVERED LUMENS	EFFICACY (LPW)					
3L - 9L	80	2,601	120	2,704	125	2,602	121	22	B2-U4-G4	400W MH		
	80	5,513	126	5,732	131	5,516	126	44				
	80	7,892	123	8,205	127	7,896	123	64				
	80	9,128	120	9,490	130	9,133	120	76				

DLC PRODUCT INFORMATION

UNIT	3000K CCT		4000K CCT		4500K CCT		5000K CCT	
	DLC PRODUCT ID	CLASSIFICATION	DLC PRODUCT ID	CLASSIFICATION	DLC PRODUCT ID	CLASSIFICATION	DLC PRODUCT ID	CLASSIFICATION
WLM43LED	n/a	n/a	PTOVHUH7	Standard	PDG4N6GHG	Standard	P2LGOBS9	Standard
WLM64LED	n/a	n/a	n/a	n/a	n/a	n/a	n/a	n/a
WLM80LED	n/a	n/a	n/a	n/a	n/a	n/a	n/a	n/a

UNIT	DLC PRODUCT ID	CLASSIFICATION
WLMS3-9L	PPJRDDGX	Standard